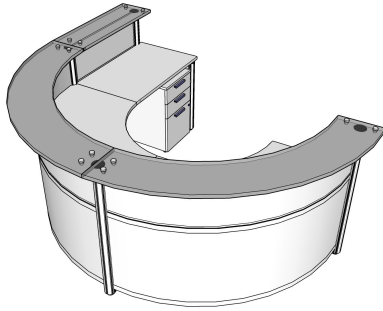


TYPICAL QUOTATION



Date May 24, 2022
Quote # FCIQ10578

SF # Q20220321-19803

Line	Qty	Product Code	Description	List	Ext. List
Typical Workstation: PBR002 Curved Beam Round Reception					
Frosted Acrylic / Laminate Dividers, Glass Transaction, BBF, 8Wire 4Circuit Basefeed Electrical					
Overall Workstation Size: 105"W x 90"D x 42"H					
Components					
1	4	XPST8A42	42"H - 3" Round Post, 8 Slot, 90/120 - Style 8A	\$307	\$1,228
2	2	XPST8A28	28"H - 3" Round Post, 8 Slot, 90/120 - Style 8A	\$219	\$438
3	1	XFCBL	Front Corner Bracket - Left	\$63	\$63
4	1	XFCBR	Front Corner Bracket - Right	\$63	\$63
5	1	XCTC24L-1	24 Cantilever, Left, Holes	\$129	\$129
6	1	XCTC24R-1	24 Cantilever, Right, Holes	\$129	\$129
7	2	XCTF12-1	12 Post Foot, Holes	\$157	\$314
8	2	XBSTGPS-01	Curved Beam Leveler Bracket	\$38	\$76
9	12	X - MOUNT	X - MOUNT, Glass mount, for Glass Transaction top	\$152	\$1,824
10	2	XBSTWC72.38xddd-FC	XBSTWC42xddd-FC, 72.38" Curved Channel Beam	\$453	\$906
11	4	XBSTRC72.38xddd-FC	XBSTRC42xddd-FC, 72.38" Curved Standard Beam	\$358	\$1,432
12	2	XBSTWA22.5*	22.5 Channel Beam - Style 8A	\$117	\$234
13	2	XBSTRA22.5*	22.5 Standard Beam - Style 8A	\$90	\$180
14	1	XBSTWA36	36 Channel Beam - Style 8A	\$128	\$128
15	1	XBSTRA36	36 Standard Beam - Style 8A	\$98	\$98
16	1	XWRA2472.38L*	24x72.38 Radiused Worksurface, Extended Left	\$636	\$636

* List Price shown is based on standard materials and sizes. Please contact your local fluidconcepts dealer or representative for the discount off List Price.
All Prices quoted in standard finishes unless specified otherwise .
Dealers are responsible for verifying quote accuracy, site dimensions, product sizes, etc.
Installation and Delivery assume dock level, normal workplace access and during normal business hours unless specified otherwise
Shipping - Please contact your local fluidconcepts rep or dealer for shipping and discount terms.
Only complete orders can be processed. Ensure all information is on the order to prevent delays.
NOTE - THE PRICING IS FOR BUDGETARY PRICING ONLY AND FLUIDCONCEPTS HAS THE RIGHT TO CHANGE PRICES AT ANY TIME.
PLEASE CONTACT YOUR LOCAL FLUIDCONCEPTS REPRESENTATIVE OR DEALER.

Line	Qty	Product Code	Description	List	Ext. List
17	1	XWRA2472.38R*	24x72.38 Radiused Worksurface, Extended Right	\$636	\$636
18	1	XWRT2438.5R*	24x38.5 Rectangular Worksurface, Extended Right	\$255	\$255
19	1	XTRAF1272.38R*	12x72.38 Radiused Transaction Top, GLASS, Extended Right	\$1,959	\$1,959
20	1	XTRAF1272.38L*	12x72.38 Radiused Transaction Top, GLASS, Extended Left	\$1,959	\$1,959
21	1	XTRT1238.5*	12x38.5 Rectangular Transaction Top, GLASS	\$922	\$922
22	1	XPFAA1336	13x36 Frosted Acrylic Divider - Style 8A	\$141	\$141
23	2	XPFAA1372.38*	13x72.38 Frosted Acrylic Divider - Style 8A	\$282	\$564
24	2	XPLMA2872.38H*	28x72.38 Laminate Divider, HPL - Style 8A	\$1,009	\$2,018
25	2	XPLMA2822.5H*	28x22.5 Laminate Divider, HPL - Style 8A	\$337	\$674
26	1	XPLMA2836H	28x36 Laminate Divider, HPL - Style 8A	\$505	\$505
27	1	7SMX20	Mobile Pedestal, Box/Box/File, w/ Lock, 20D x 27H	\$896	\$896
28	1	XEBF84120	120 Base Feed, 8 Wire/4 Circuit	\$540	\$540
29	1	XESBS8417-1234	17 Service Box, 8 Wire/4 Circuit, PwrData Cir1234, Single Sided	\$375	\$375
30	1	XWGR36	36 Power/Data Wire Manager, Full Length	\$52	\$52
31	1	XWGR72	72 Power/Data Wire Manager, Full Length	\$105	\$105
32	1	XWGRSB72	72 Power/Data Wire Manager, Either side of Service Box	\$105	\$105

Additional Notes

Please contact me if I can be of further assistance.

Total List*	\$19,584
--------------------	-----------------

Total Items Quoted 58

Thank-you for choosing Fluidconcepts!

* List Price shown is based on standard materials and sizes. Please contact your local fluidconcepts dealer or representative for the discount off List Price.
 All Prices quoted in standard finishes unless specified otherwise .
 Dealers are responsible for verifying quote accuracy, site dimensions, product sizes, etc.
 Installation and Delivery assume dock level, normal workplace access and during normal business hours unless specified otherwise
 Shipping - Please contact your local fluidconcepts rep or dealer for shipping and discount terms.
 Only complete orders can be processed. Ensure all information is on the order to prevent delays.
 NOTE - THE PRICING IS FOR BUDGETARY PRICING ONLY AND FLUIDCONCEPTS HAS THE RIGHT TO CHANGE PRICES AT ANY TIME.
 PLEASE CONTACT YOUR LOCAL FLUIDCONCEPTS REPRESENTATIVE OR DEALER.