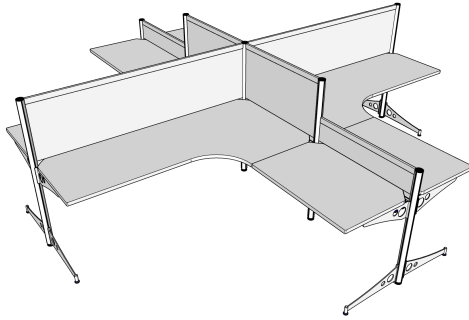


# TYPICAL QUOTATION



**Date** May 4, 2022  
**Quote #** FCIQ10406

**SF #** Q20220321-19803

| Line  | Qty | Product Code  | Description                                 | List  | Ext. List |
|---|-----|---------------|---|-------|-----------|
| <b>Typical Workstation: PB006 - 4 Pack L Stations</b>   |     |               |   |       |           |
| <b>72" x 72" L Stations, 49" &amp; 36" High, Frosted Acrylic &amp; Softscape Upper Dividers, 8Wire 4Circuit Basefeed Electrical</b> |     |               |   |       |           |
| <b>Overall Workstation Size: 146"W x 146" D</b>   |     |               |   |       |           |
| <b>Components</b>   |     |               |   |       |           |
| 1   | 5   | XPST2B49      | 49"H - 2" Round Post, 4 Slot, 90 - Style 2B | \$256 | \$1,280   |
| 2   | 2   | XPST2B36      | 36"H - 2" Round Post, 4 Slot, 90 - Style 2B | \$192 | \$384     |
| 3   | 4   | XBSTW2B36     | 36 Channel Beam - Style 2B                  | \$128 | \$512     |
| 4   | 2   | XBSTW2B72     | 72 Channel Beam - Style 2B                  | \$214 | \$428     |
| 5   | 4   | XBSTR2B36     | 36 Standard Beam - Style 2B                 | \$98  | \$392     |
| 6   | 2   | XBSTR2B72     | 72 Standard Beam - Style 2B                 | \$164 | \$328     |
| 7   | 6   | XCTC24L-1     | 24 Cantilever, Left, Holes                  | \$129 | \$774     |
| 8   | 6   | XCTC24R-1     | 24 Cantilever, Right, Holes                 | \$129 | \$774     |
| 9   | 8   | XCTF24-1      | 24 Post Foot, Holes                         | \$172 | \$1,376   |
| 10  | 2   | XPFA2B2072    | 20x72 Frosted Acrylic Divider - Style 2B    | \$434 | \$868     |
| 11  | 2   | XPSS2B2036    | 20x36 Softscape Divider - Style 2B          | \$194 | \$388     |
| 12  | 2   | XPSS2B0736    | 07x36 Softscape Divider - Style 2B          | \$119 | \$238     |
| 13  | 2   | XWEC24367224L | 24x36x72x24 Ext. Corner Worksurface, Left   | \$600 | \$1,200   |
| 14  | 2   | XWEC24367224R | 24x36x72x24 Ext. Corner Worksurface, Right  | \$600 | \$1,200   |
| 15  | 4   | XWRT2436      | 24x36 Rectangular Worksurface               | \$227 | \$908     |
| 16  | 1   | XEBF8472      | 72 Base Feed, 8 Wire/4 Circuit              | \$403 | \$403     |

\* List Price shown is based on standard materials and sizes. Please contact your local fluidconcepts dealer or representative for the discount off List Price.  
All Prices quoted in standard finishes unless specified otherwise .  
Dealers are responsible for verifying quote accuracy, site dimensions, product sizes, etc.  
Installation and Delivery assume dock level, normal workplace access and during normal business hours unless specified otherwise  
Shipping - Please contact your local fluidconcepts rep or dealer for shipping and discount terms.  
Only complete orders can be processed. Ensure all information is on the order to prevent delays.  
NOTE - THE PRICING IS FOR BUDGETARY PRICING ONLY AND FLUIDCONCEPTS HAS THE RIGHT TO CHANGE PRICES AT ANY TIME.  
PLEASE CONTACT YOUR LOCAL FLUIDCONCEPTS REPRESENTATIVE OR DEALER.

| Line | Qty | Product Code   | Description   | List  | Ext. List |
|------|-----|----------------|---|-------|-----------|
| 17   | 1   | XEIC8472       | 72 Interconnecting Cable, 8 Wire/4 Circuit                      | \$375 | \$375     |
| 18   | 1   | XESBD8417-1234 | 17 Service Box, 8 Wire/4 Circuit, PwrData Cir1234, Double Sided | \$483 | \$483     |
| 19   | 4   | XWGR36         | 36 Power/Data Wire Manager, Full Length                         | \$52  | \$208     |
| 20   | 4   | XWGR72         | 72 Power/Data Wire Manager, Full Length                         | \$105 | \$420     |
| 21   | 4   | XWGRSB36       | 36 Power/Data Wire Manager, Either side of Service Box          | \$52  | \$208     |

**Additional Notes**

Please contact me if I can be of further assistance.

|                    |                 |
|--------------------|-----------------|
| <b>Total List*</b> | <b>\$13,147</b> |
|--------------------|-----------------|

Total Items Quoted 68

**Thank-you for choosing Fluidconcepts!**

\* List Price shown is based on standard materials and sizes. Please contact your local fluidconcepts dealer or representative for the discount off List Price.  
 All Prices quoted in standard finishes unless specified otherwise .  
 Dealers are responsible for verifying quote accuracy, site dimensions, product sizes, etc.  
 Installation and Delivery assume dock level, normal workplace access and during normal business hours unless specified otherwise  
 Shipping - Please contact your local fluidconcepts rep or dealer for shipping and discount terms.  
 Only complete orders can be processed. Ensure all information is on the order to prevent delays.  
 NOTE - THE PRICING IS FOR BUDGETARY PRICING ONLY AND FLUIDCONCEPTS HAS THE RIGHT TO CHANGE PRICES AT ANY TIME.  
 PLEASE CONTACT YOUR LOCAL FLUIDCONCEPTS REPRESENTATIVE OR DEALER.