



# INSTRUCTION MANUAL

## *ELECTRIC GRILL*

**MGB-3300**



**PLEASE READ THIS INSTRUCTION CAREFULLY BEFORE USING THE PRODUCT**

**This product is designed for household use only**

## **IMPORTANT SAFEGUARDS**

**When using electrical appliances, basic safety precautions should always be followed, including the following:**

1. Read all instructions.
2. Do not touch hot surfaces: Use handles .
3. Before using this appliance, move it two to four inches away from the wall or any object on the counter top. Remove any object that may have been placed on top of the appliance. Do not use on surfaces where heat may cause a problem.
4. To protect against electrical shock, do not place electrical equipment in water or other liquids. See instructions for cleaning.
5. Do not allow the appliance to be used by persons (including children) with psychological, physical or sensory impairments or with inadequate experience or knowledge, unless closely supervised and instructed by someone responsible for their safety. Children must be supervised to ensure they do not play with the appliance.
6. Unplug from outlet when not in use and before cleaning. Always turn the unit OFF before unplugging. Allow to cool before putting on or taking off parts, and before cleaning the appliance.
7. Do not operate any appliance with a damaged cord or plug or after the appliance malfunctions, or has been damaged in any manner.  
Call customer service center before returning appliance to the nearest authorized service facility for examination, repair or adjustment.
8. The use of accessory attachments not recommended by the appliance manufacturer may cause injuries.
9. Do not let cord hang over edge of table or counter, or touch hot surfaces.
10. Keep loose clothing, curtains, furniture and flammable material etc. away from the wall outlet where the unit is plugged in.
11. Do not place on or near a hot gas or electric burner.
12. Do not move the appliance when there is hot water or hot drippings in the drip tray.
13. If the outlet gets hot, please call a qualified electrician.
14. Do not use this appliance for anything other than intended use. For household use only.
15. Do not use outdoors.
16. Use extreme caution when removing the drip tray.
17. Do not clean with metal scouring pads. Pieces can break off the pad and touch electrical parts, creating a risk of electric shock.
18. Do not place food directly on the heating element.
19. A fire may occur if this appliance is covered or touching flammable material, including curtains, draperies, walls, etc., when in operation.
20. Caution: Never leave the indoor grill unattended when grilling.
21. When grilling always use the drip tray.
22. Never place food containers on the heating element or on the non-stick grill plate.

23. Do not store any materials, other than the manufacturer's recommended accessories, under the heating element.
24. Do not place any of the following materials on the indoor grill: paper, cardboard, plastic and the like.
25. Do not cover any part of the indoor grill with metal foil. This will cause overheating of the appliance.
26. To switch off the indoor grill, turn grill to OFF and remove the plug from the outlet.
27. Remember to check periodically the water level in the drip tray and to fill it to the recommended level.
28. Fuel such as charcoal briquettes must not be used with this appliance.
29. This appliance has a polarized plug (one blade is wider than the other). To reduce the risk of electric shock, this plug is intended to fit into a polarized outlet only one way. If the plug does not fit fully into the outlet, reverse the plug. If it still does not fit, contact a qualified electrician. Do not attempt to modify the plug to bypass this safety feature

## Technical specification

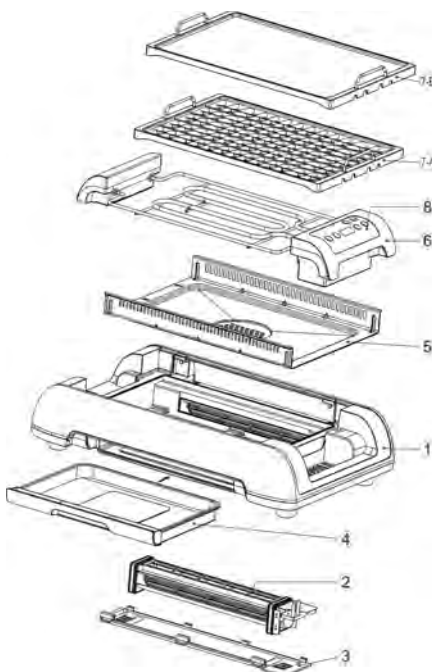
Normal Voltage: 120V, 60Hz

Normal Power: 1300 W

Thermostat: 180°F-480°F

## General description

1. Base
2. Fan system
3. Cover of Fan
4. Drip tray
5. Heat Shield
6. Handle
7. Grill Plate and Flat Plate (Griddle)
8. Control Panel

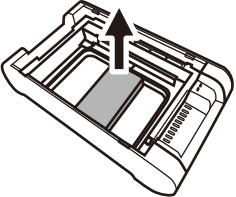

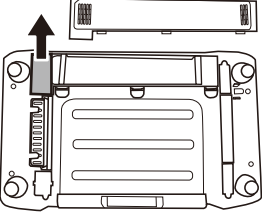

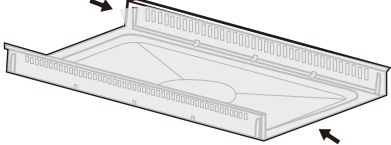

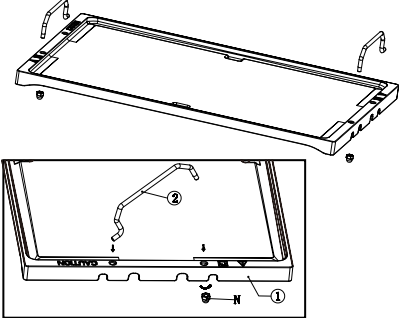



## BEFORE USING FOR THE FIRST TIME

Please check all packaging material carefully before discarding. Many accessory parts are contained within the packaging material.

1. Read and follow all instructions and save for reference.
2. Remove all packaging.
3. Clean all parts following instructions in the 'Care and Cleaning' section.
4. **TO REDUCE RISK OF SHOCK HAZARD NEVER IMMERSE THE APPLIANCE IN WATER OR ANY OTHER LIQUID**

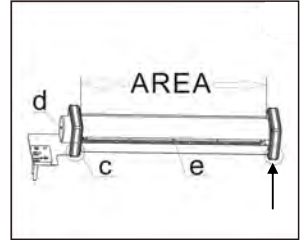
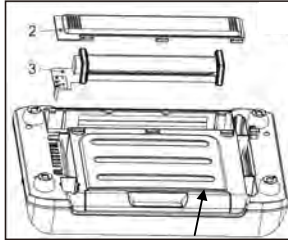
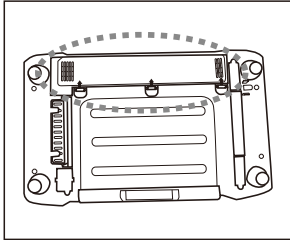
## IMPORTANT

	<p><b>Remove the Foam:</b></p> <p>Remove the foam from the drip tray before use.</p> 
	<p><b>Remove the PE foam:</b></p> <p>Remove the PE foam from the Fan before use.</p> <p><b>IMPORTANT:</b> the fan will not work if you not take out the foam</p> 
	<p><b>Remove the Protective film:</b></p> <p>Remove the Protective film from the Heat Shield before use.</p> 
	<p><b>Install the grill plates handle :</b></p> <p>Install the handles on both grill plate and griddle.</p> 

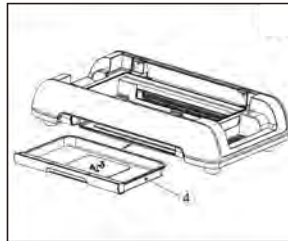
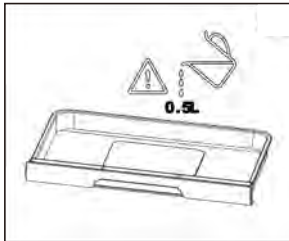
## OPERATION

1. Make sure position fan system into base thoroughly, then close the fan cover

**Note:** To protect the fan, please hold both side “c” with hands when you want to take it out from base



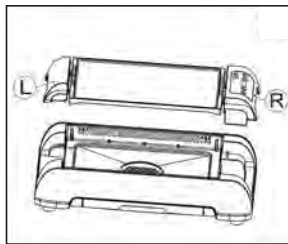
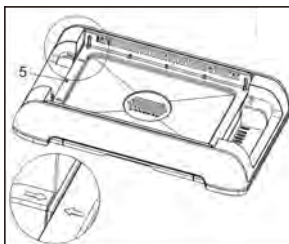
2. Place base on a flat, heat resistant, stable surface in a well-ventilated area.
3. Fill drip pan with 0.5L water and insert it into the base.



4. Put the Heat Shield (5) on the base.

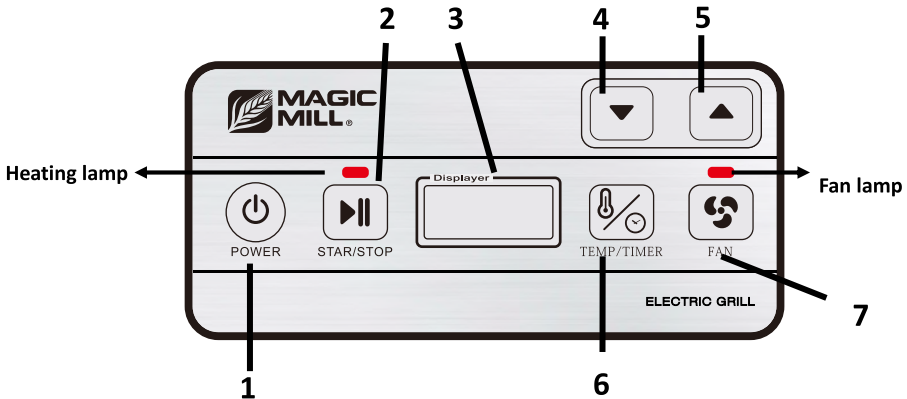
**Noted:** The arrow mark on the Heat shield should direct at the arrow mark on the base.

5. Place the heating element onto the heat shield, then put the grill plate onto the heating element.



6. Before inserting the plug into the outlet, make sure that:  
 The power of the outlet corresponds to the value indicated on the rating plate applied to the accessory plug.  
 The outlet is suitable for the plug. If this is not the case, have the outlet replaced.

**Panel functions:** POWER, STAR/STOP, FAN SWITCH, TIME, TEMP.




- |                                      |                             |
|--------------------------------------|-----------------------------|
| <b>1. Power</b>                      | <b>5. "UP" Button</b>       |
| <b>2. STAR / STOP (Heat control)</b> | <b>6. TEMP / TIMER</b>      |
| <b>3. LED screen</b>                 | <b>7. FAN (Fan control)</b> |
| <b>4. "DOWN" Button</b>              |                             |

- A) During barbecue process, you can change the time & temperature at anytime.
- Timer: from "1" to "60" minutes.
  - Temperature range: 180°F to 480°F

"180°F-200°F-220°F-240°F-260°F-280°F-300°F-320°F-340°F-360°F-380°F-400°F-420°F-440°F-460°F-480°F".

**1)** Plug Electric grill into power supplier. There is a beep sound at the beginning and the LED screen will show "--".

**2)** Press the "POWER" button first, LED screen will show temperature setting "480°F", then press "UP: ▲" button or "DOWN: ▼" button to set temperature. Press the "TIMER" button to set the time

3) After setting the Time and Temperature, press the “  ” button to start heating.

**Noted:** When signal light on heating lamp goes out indicating grilling temperature has been reached, add the food. The signal light will go on and off periodically to indicate that proper temperature is being maintained.

4) Fan ON/OFF switch ,

After inserting the plug into the outlet, the fan will turn on **automatically** in around 5 minutes (the Fan lamp lights up). And start to absorb smoke.

**Noted:** *Unplug the appliance from the socket when you are not using it.*

**Note :** Before using for the first time, operate the appliance without food (with water in the drip tray) with the highest temperature for at least 15 minutes to eliminate the "new" smell and any smoke caused by the presence of protective substances applied to the heating element before transport. During this operation, ventilate the room

7 Allow preheat 7-10 minutes. Then place food directly onto cooking plate

IMPORTANT:

- To avoid injury do not touch the appliance during use, except base.
- DO NOT remove the temperature control from the grill plate until the
- DO NOT move the appliance during use.

## COOKING TIPS

- If using bamboo or wooden skewers, soak in water before use to prevent burning.
- Use only plastic or wooden utensils to avoid scratching the non-stick surface of the grill plate.
- Never cut food directly on grill plate.
- Cut food into small and equal pieces to ensure a more even cooking.
- Frozen food should always be thawed before it is grilled.
- When grilling vegetables, fish or lean meat, spray the grilling surface with a cooking spray before heating.
- Turn the food from time to time with the tongs.
- When the food is done, remove it from the grilling plate.
- Use the tongs to remove the food. Do not use metal, sharp or abrasive kitchen utensils.
- To continue grilling, place the next batch of food on the grilling plate when the heating lamp light up.

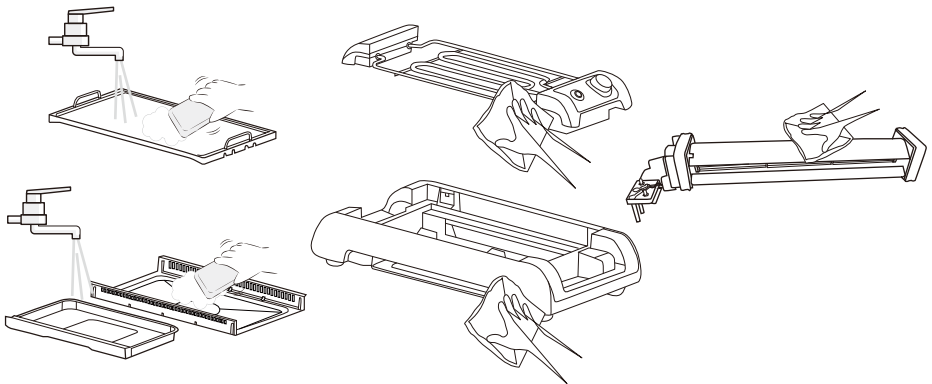
## Care and Cleaning Instructions

1. Press POWER switch, unplug cord from power outlet and allow cooling completely before cleaning.
2. Lift grill plate out of base using handles. Carefully take drip tray out of base. Dispose of any liquid in the drip tray.
- 3 Take the heater element and control system out of the base
- 4 Lift the heat shield from the base
- 5 Take out the fan system from base with hands

Wash drip tray, heat shield and grill plate in warm, soapy water using a non-metal cleaning pad. Do not use metal scouring pads or harsh scouring powders. A soft bristled brush may be used to Clean underside of grill.

Wipe the heating control, base, fan system with a damp cloth and dry thoroughly.

**NEVER IMMERSE THE heating control, base, fan system IN WATER OR ANY OTHER LIQUID.**



After washing, rinse and dry. Dry all parts thoroughly before using or storing grill. Store the grill in a position on a dry and level surface.

## SAVE THIS INSTRUCTION!



2 Alpine ct. Chestnut Ridge NY 10977  
201.785.8840 | [contact@magicmillusa.com](mailto:contact@magicmillusa.com)