



Forever Bright

SPECIFICATION FEATURES



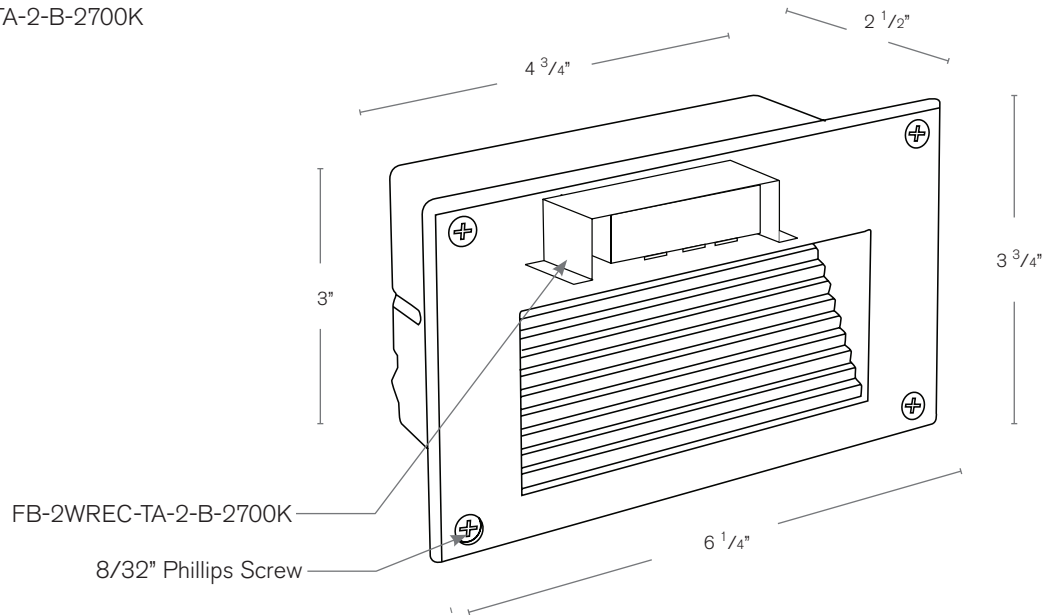
Model: **SPJ-BCH1**
 Finish: Rusty

- Finish:** Our naturally etched finishes will withstand the test of time. All finishes are individually treated insuring consistency. Our meticulous application results in a fixture that truly becomes "a one of a kind".
- Electrical:** Available in 9-15v or 120V
- Labels:** ETL Standard Wet Label
C-ETL

Recessed Fixture

DESCRIPTION

- Model#:** SPJ-BCH1
- Material:** Cast Brass
- Engine:** FB-2WREC-TA-2-B-2700K
- Lumens:** 125
- Color Temp:** 2700K
- Electrical:** 9-15V, 120V
- LED:** Nichia



Wet Listed

ORDERING INFORMATION

Model#	Finishes	Wattage	Lumens	Color Temp.	Electrical
SPJ-BCH1	R	2W	125	2700K	9-15V

- | | | | | | |
|--------------------|---------------------|----|-----|-------|-------|
| V = Verde | GM = Gun Metal | 2W | 125 | 2700K | 9-15V |
| M = Moss | B = Black | | | 4000K | 120V |
| AG = Aged Brass | R = Rusty | | | 6500K | |
| MBR = Matte Bronze | PVDP = PVD Polished | | | | |
| SB = Satin Brass | PVDS = PVD Satin | | | | |