



LEGLESS

**JOSH
CARMODY
STUDIO.**

LEGLSS

The sketch of a seemingly impossible form, became an exploration into woodworking joint capabilities and ended up as an award winning design.

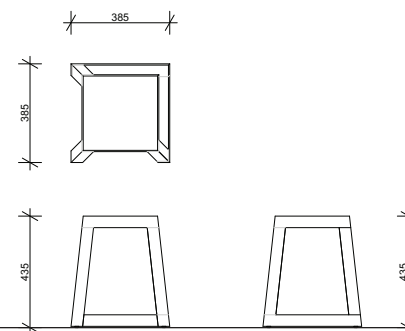
The charm of the Legless stool lies not only in its unassuming development as a product, but also in the fact that each one is made using only solid timber, glue, and honest woodworking joints. A balanced combination of playful experimentation and skillful execution.

Ideal for use as both a stool and a side table, in the home or the office.

Handmade in Melbourne.

DESIGNER:	Josh Carmody
YEAR OF DESIGN:	2009
AWARDS:	Maurice Lacroix Award - Launchpad - 2010
DESCRIPTION:	Stool Side Table
MATERIAL:	Solid American White Oak
FINISH OPTIONS:	Natural Oak Fumed Oak Blackened Oak Walnut
CONTACT:	hello@joshcarmody.com.au +61 411 398 949

SIZE SPECIFICATIONS:



Custom colours and finishes available upon request.



LEGLESS



**JOSH
CARMODY
STUDIO.**