

**LEGLESS BAR STOOL
STEEL FRAME**



**JOSH
CARMODY
STUDIO.**

LEGLESS BAR STOOL - STEEL FRAME

The engaging form of the bar stool originally released in solid timber, translated into a bent steel tube design suitable for use in residential, commercial and hospitality environments.

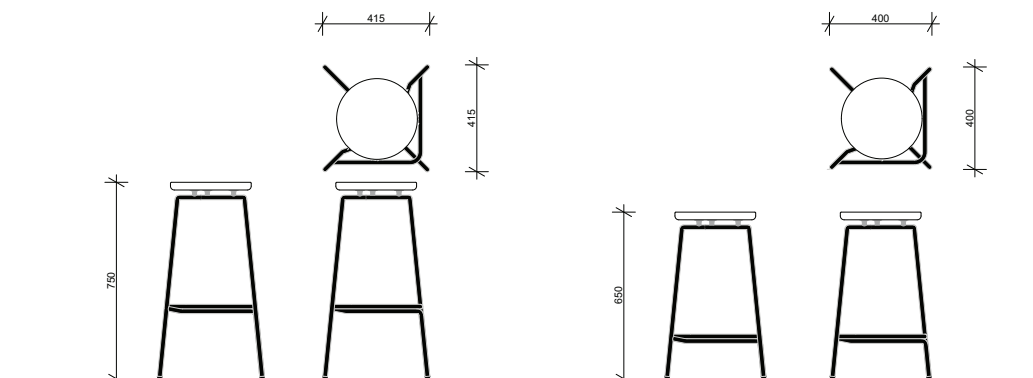
Once sat upon, delight at the unexpected stability and the unimpeded footrest culminates with the realisation that form meets function.

These experiences matched with the warmth of a solid timber seat, meticulous brass connection details and beautiful craftsmanship add up to create an understated, yet intriguing piece designed for the hospitality and commercial market yet equally fitting for the home.

Made in Australia.

DESIGNER:	Josh Carmody
YEAR OF DESIGN:	2016
DESCRIPTION:	Bar Stool Bench Stool
MATERIAL:	Solid American White Oak Brass Details Bent Steel Tube
FINISH OPTIONS:	Seat: Natural Oak Fumed Oak Blackened Oak Walnut Frame: Black Powder Coat Custom finishes available upon request
CONTACT:	hello@joshcarmody.com.au +61 411 398 949

SIZES:



Custom heights, finishes and colours available upon request.



**LEGLESS BAR STOOL
STEEL FRAME**



**JOSH
CARMODY
STUDIO.**