

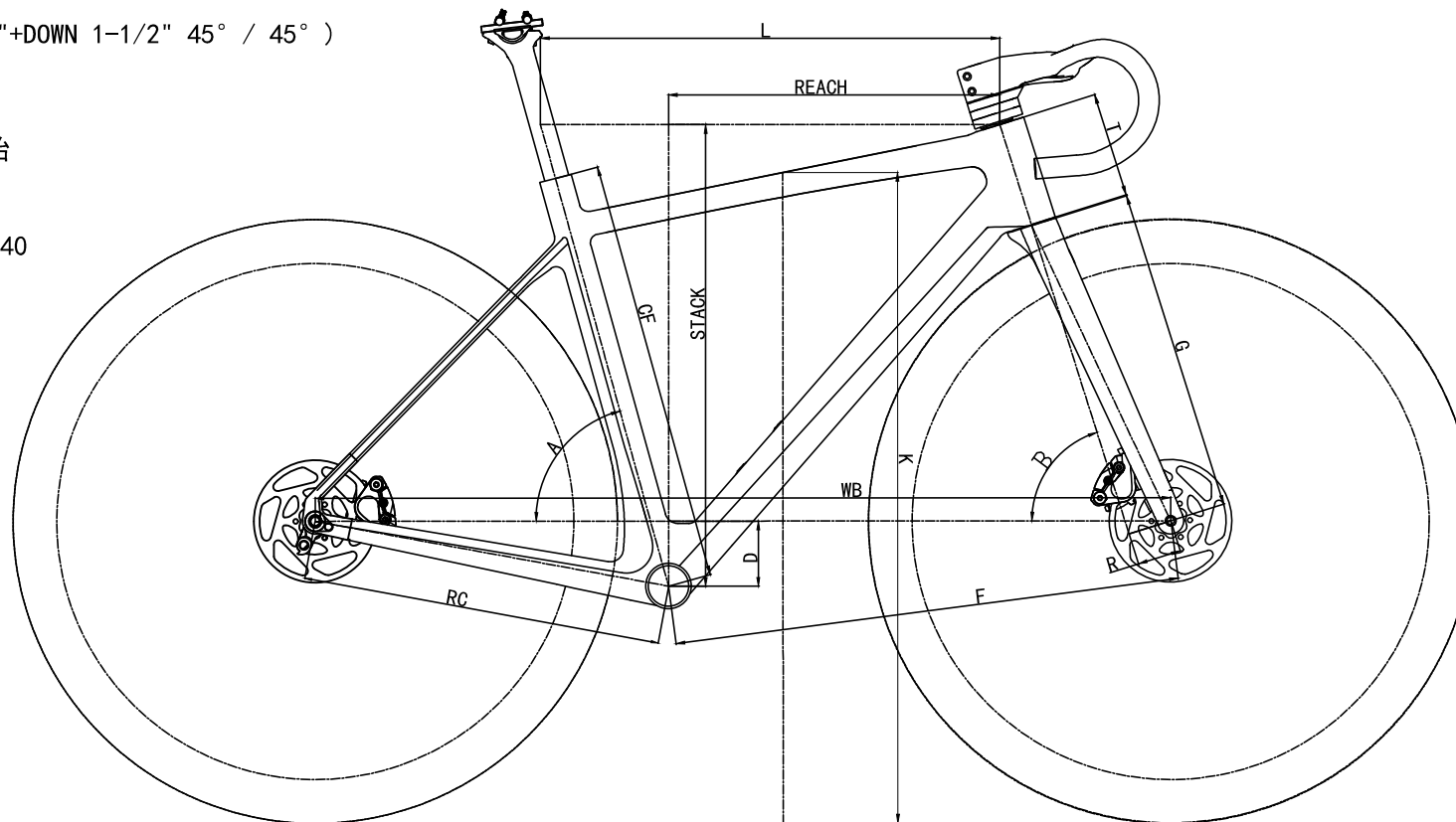
H/T: (UP 1-1/8"+DOWN 1-1/2" 45° / 45°)

BB: 68 (BC1. 37)

搭配700*30C外胎

SP: R03-SP

BH04-400-420-440



| SIZE | CF | L | A | B | F | RC | T | D | R | G | REACH | STACK | K | WB |
|---------|-------|-----|-------|-------|-------|-----|-----|----|----|-----|-------|-------|-----|-------------|
| XS(480) | 468.5 | 503 | 75° | 71.5° | 569.5 | 410 | 100 | 74 | 50 | 369 | 368 | 505 | 725 | 969 |
| S(500) | 483.5 | 524 | 74.5° | 72.5° | 578 | 410 | 120 | 74 | 50 | 369 | 378 | 527 | 743 | 977 |
| M(520) | 500.0 | 540 | 74° | 73.0° | 580.2 | 410 | 140 | 74 | 50 | 369 | 384 | 545 | 758 | 980 |
| L(540) | 520.0 | 555 | 73.5° | 73.0° | 590.4 | 410 | 160 | 74 | 50 | 369 | 388 | 565 | 765 | 990 |
| XL(560) | 535.5 | 575 | 73.0° | 73.0° | 605.2 | 410 | 180 | 74 | 50 | 369 | 397 | 584 | 784 | 1005 |

| Revised record | | Responsibility | Date | Un-marked tolerance X. ±1 .X ±0.5 .XX ±0.1 .XXX ±0.02 Angle ±0.5° | Approved By | Material | Carbon | Surface treatment | R12 |
|----------------|--|----------------|------|--|-------------|--------------|------------|-------------------|----------|
| | | | | | Checked By | Horn cupping | ⊕ | Model No. | |
| | | | | | Designed By | Scale | 1:1 | Drawing Name | GEOMETRY |
| | | | | | Drewed by | Unit | mm | Drawing No. | |
| | | | | | | Date | 2021/03/09 | Version | R0 |



Huizhou SAVA Bicycle Co., Ltd