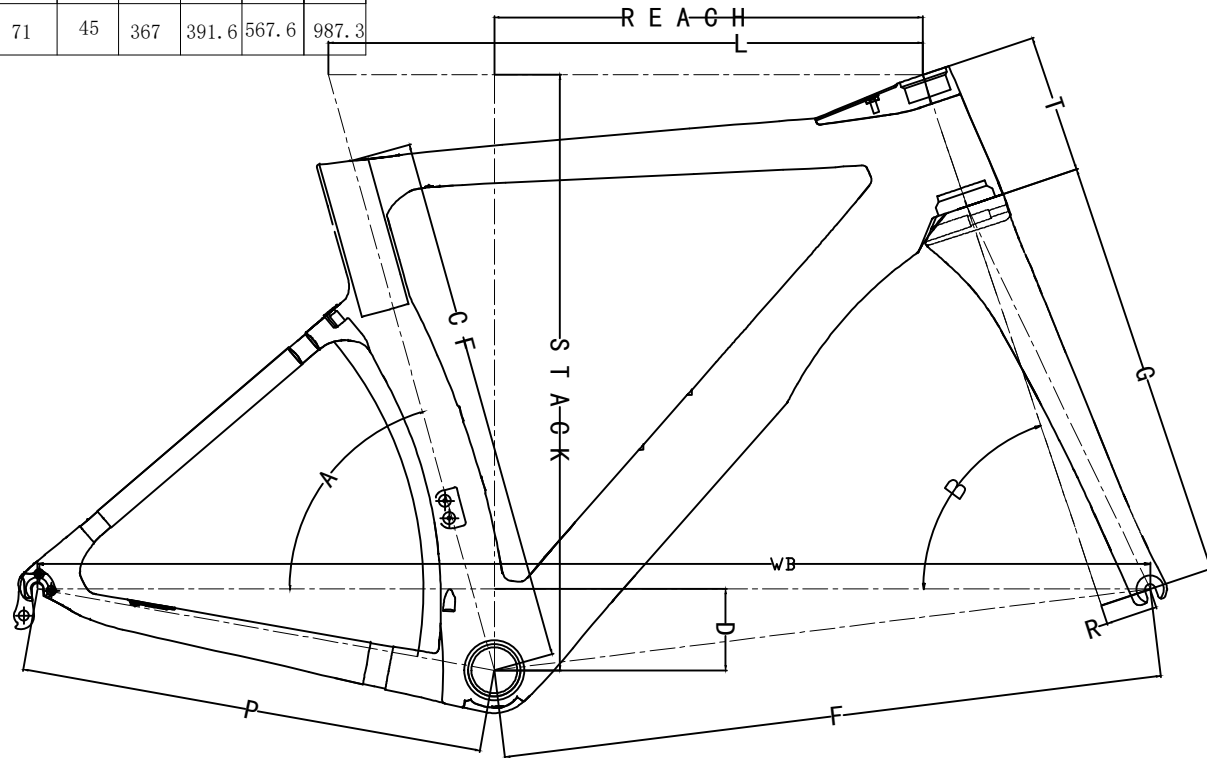


SIZE	CF	L	A	B	F	P	T	D	R	G	REACH	STACK	WB
440	436.3	492.4	74.8°	70.0°	555.5	405	107	71	45	367	356.8	500.5	959.7
470	455.8	502.3	75°	70.5°	575.4	405	115	71	45	367	367	512.2	969.7
500	461.8	518.7	74.4°	71.4°	576.9	405	121	71	45	367	374	520	971.3
520	474.8	527.4	74.4°	72.0°	581.1	405	140	71	45	367	377.1	540.1	975.5
540	490.8	544.4	73.9°	72.8°	585.4	405	148	71	45	367	385.6	550.3	979.8
560	516.2	565.1	73.0°	73.3°	592.8	405	164.5	71	45	367	391.6	567.6	987.3



Revised record	Responsibility	Date

Un-marked tolerance: X ±1, .XX ±0.1, .XXX ±0.05, Angle ±0.5°  
 Approved by: [Signature]  
 Checked by: [Signature]  
 Designed by: [Signature]  
 Drawed by: [Signature]  
 Date: 2020/04/09  
 Material: Carbon fiber  
 Surface treatment: Horn coating  
 Model: N07-QR  
 Scale: 1:1  
 Unit: mm  
 Drawing No.: [Number]  
 Version: R0