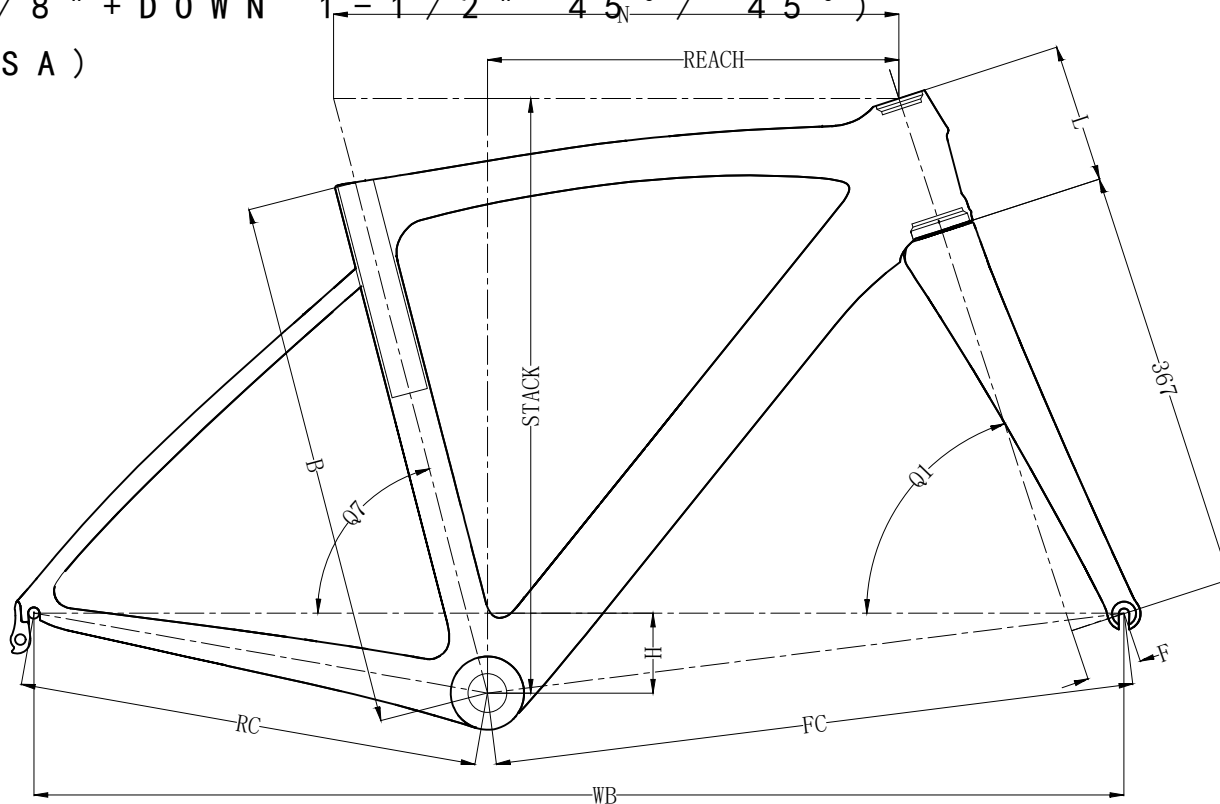


SIZE	WHEEL SIZE	Q7	N	Q1	F	L	H	B	RC	FC	STACK	REACH	WB
44	700C	75.5°	484	70.0°	48	90	70	420	402	566	488	358	959
48	700C	75.5°	495	71°	48	121	70	460	402	570	516	362	962
50	700C	75.0°	513	71.5°	48	130	70	480	402	578	525	372	971
52	700C	74.5°	528	71.5°	48	136	70	499	402	590	531	381	982
54	700C	74.0°	543	72°	48	151	70	520	402	596	548	386	988
56	700C	73.5°	573	72.5°	48	170	70	545	402	620	568	409	1008

H / T : ( UP 1 - 1 / 8 " + DOWN 1 - 1 / 2 " 45° / 45° )

B B : B B 6 8 ( B S A )



Revised record	Responsibility	Date	Un-marked	Approved	Material	Carbide	Surface treatment
			X ±1	Checked	Horn	①	Model No. R003
			. XX ±0	Designed	Scale	1:1	Drawing No.
			. XXX ±0	Drewed by	Unit	mm	Drawing No.
			Ang ±0.5°	Date	2020/04	Version	R0