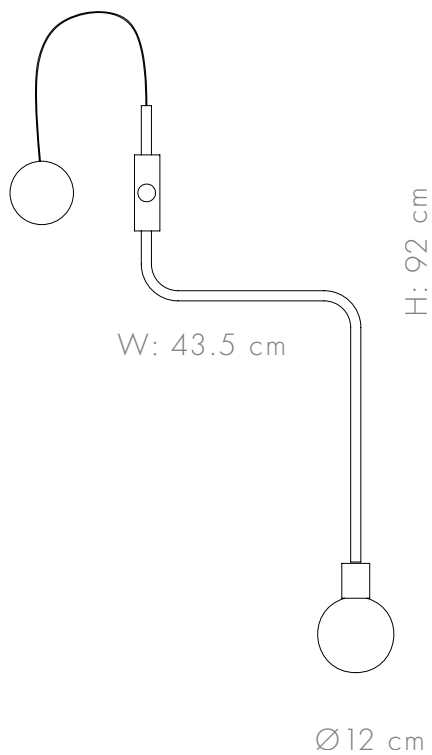




the

UPSIDE DOWN

A wall mounted lamp consists of a black metal tube fastened to the wall with a wooden base and screw, a solid wood canopy and a carbon bulb.



COLORS

Black

WOOD TYPES

Oak

DIMENSIONS / WEIGHT

92X43.5XØ12 cm / 1.5 kg

MATERIAL

Wood + Aluminium

CANOPY

Oak

SOCKET TYPE / WATTAGE

E27 / Led Max 15w

PACKAGING DIMENSIONS

100X50X20 cm / 2kg

WWW.ASAFWEINBROOM.COM

sales@weinbroom.com
tel.: +972 522 467 730