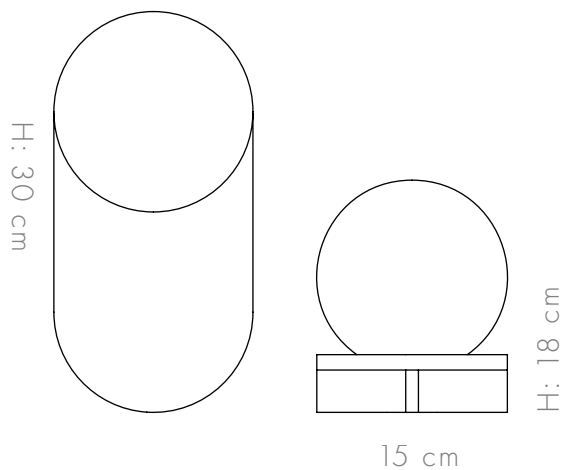




—
the
JUNO

A table lamp designed from a wooden oak base printed in a 3D CNC machine with a glass illuminated ball.



—
WOOD TYPES

Oak

DIMENSIONS / WEIGHT

30X18X15 cm / 1.2 kg

MATERIAL

Wood + Glass Ball

SOCKET TYPE / WATTAGE

E14 / led Max 6.5w

PACKAGING DIMENSIONS

32X26X17 cm

WWW.ASAFWEINBROOM.COM

sales@weinbroom.com
tel.: +972 522 467 730