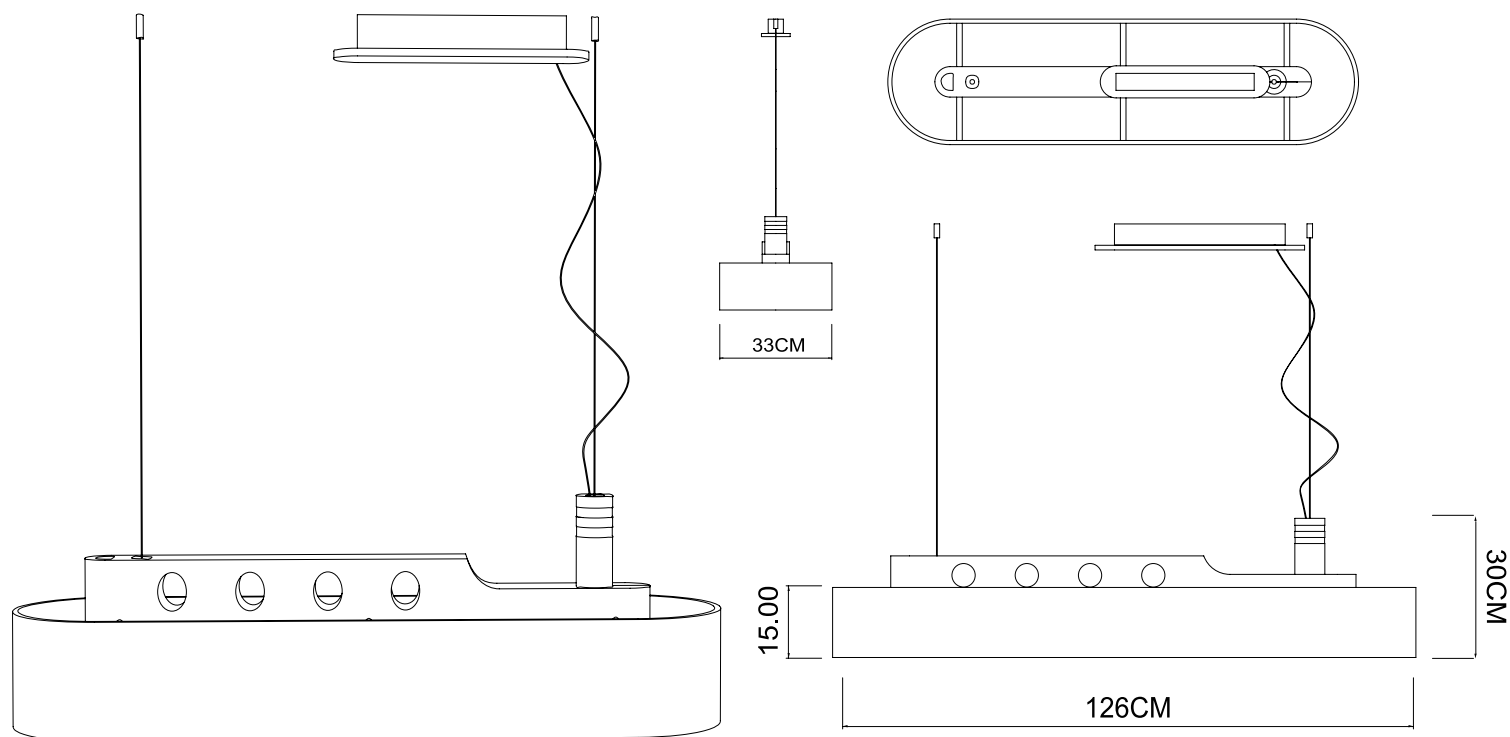




the  
**BOAT**

A hanging light sculpture inspired by a boat. Consists of 3 different work techniques: lamination, engraving, and chip milling. The lighting comes from a linear panel at the bottom of the hull.



**WOOD TYPES**

Oak

**DIMENSIONS / WEIGHT**

33X126X30 cm / 8 kg

**MATERIAL**

Wood

**CANOPY**

White with Oak plate

**SOCKET TYPE / WATTAGE**

36W LED 3800 LM

**PACKAGING DIMENSIONS**

140X40X35 cm

[WWW.ASAFWEINBROOM.COM](http://WWW.ASAFWEINBROOM.COM)

sales@asafweinbroom.com  
tel.: +972 522 467 730