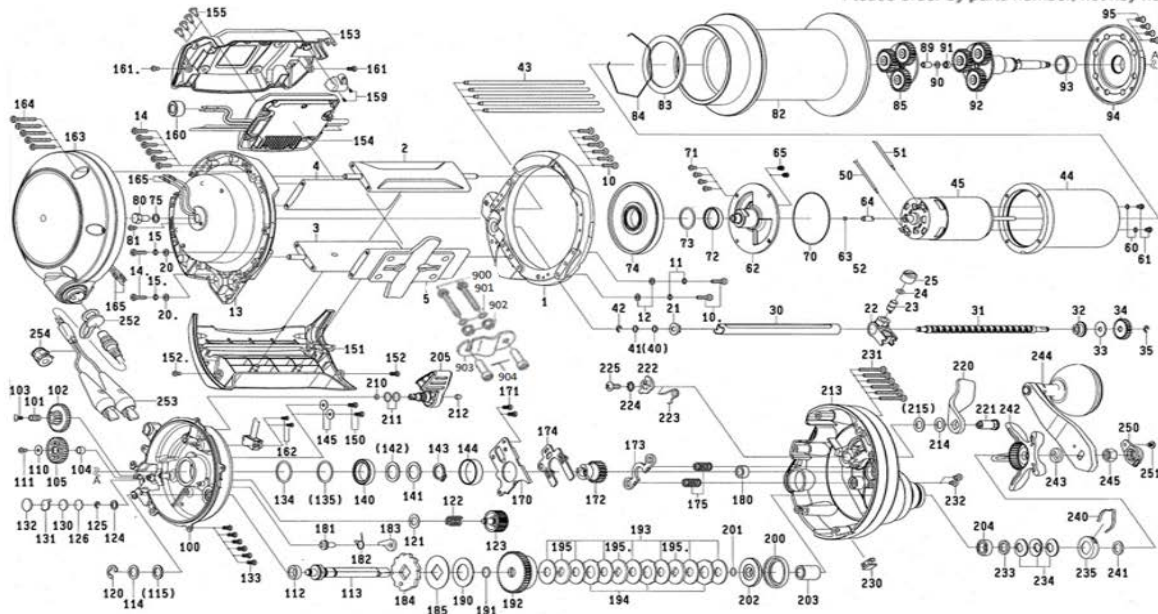




# Tanacom1200

\*Please order by parts number, not key number.



Key No	Part No	Description	Key No	Part No	Description
1	M14-9801	RS RING	133	B55-7607	SET PLATE SCREW
2	M20-1101	PARMING PLATE (A)	134	F68-2602	SPOOL PLATE BALL BEARING WASHER (A)
3	M15-8801	PARMING PLATE (B)	135	F68-2601	CLEARANCE ADJUSTMENT WASHER (C)
4	M21-2801	PARMING PLATE (C)	140	F38-9102	SPOOL PLATE BALL BEARING
5	M15-7701	STAND	141	G52-9505	SPOOL PLATE BALL BEARING WASHER (B)
10	H75-3311	RS RING SCREW	142	G52-9501	CLEARANCE ADJUSTMENT WASHER (D)
11	M40-1001	RS RING SCREW WASHER (A)	143	M18-3201	SPOOL GEAR (B) RETAINER
12	F77-4603	RS RING SCREW WASHER (B)	144	M21-2701	SET PLATE COLLAR
13	M14-9901	LS SET PLATE	145	F44-0201	SET PLATE COLLAR WASHER
14	H75-3311	LS SET PLATE SCREW	150	B55-7607	SET PLATE COLLAR SCREW
15	M40-1001	LS SET PLATE SCREW WASHER (A)	151	M15-8003	FINGER COVER
20	F77-4603	LS SET PLATE SCREW WASHER (B)	152	B55-7607	FINGER COVER SCREW
21	F46-7201	WORM SHAFT COLLAR (A)	153	M15-7901	IC MODULE COVER
22	G81-2102	LEVEL WIND	154	M15-0001	IC MODULE
23	122-0601	PAWL	155	H74-1705	IC MODULE COVER SCREW (A)
24	F95-0201	PAWL WASHER	160	H71-7101	SENSOR SCREW (A)
25	E35-4101	PAWL HOLDER NUT	161	B55-7607	IC MODULE COVER SCREW (B)
30	M18-1601	WORM SHIELD	162	H15-8201	SENSOR SCREW (B)
31	M15-8601	WORM SHAFT	163	M15-8301	LS PLATE
32	J27-1001	WORM SHAFT COLLAR (B)	164	H75-3312	LS PLATE SCREW
33	F23-7701	WORM SHAFT GEAR WASHER	165	G07-9503	CORD COVER
34	M19-1501	WORM SHAFT GEAR	166	M18-1701	SET PLATE A
35	320-5901	WORM SHAFT RETAINER	171	B55-7607	PLATE SCREW
40	B41-1703	CLEARANCE ADJUSTMENT WASHER (A)	172	M15-9001	PINION GEAR
41	B41-1706	WORM SHAFT WASHER	173	J27-3701	CLUTCH PLATE
42	320-5901	WORM SHAFT RETAINER	174	J27-3602	SET PLATE B
43	M18-701	POST	175	G47-3401	CLUTCH PLATE SPRING
44	M16-0001	MOTOR HOLDER (A)	180	B18-1602	RS BALL BEARING
45	M18-1901	MOTOR	181	F77-3001	STOPPER PIN
50	M21-2901	MOTOR CORD (RED)	182	G67-7701	STOPPER SPRING
51	M21-2902	MOTOR CORD (BLACK)	183	J56-6301	STOPPER
54	G21-3002	MOTOR HOLDER (A) SCREW O RING	184	J27-3901	RATCHET
60	351-6101	MOTOR HOLDER (A) SCREW	185	J27-4101	RATCHET WASHER
62	M16-0201	MOTOR HOLDER (B)	190	H03-2903	DRIVE GEAR WASHER
63	F64-7202	MOTOR COLLAR WASHER	191	F65-7801	GEAR SHAFT O RING
64	M26-0201	MOTOR COLLAR	192	M54-4601	DRIVE GEAR
65	G43-7701	MOTOR HOLDER (B) PACKING	193	H11-8402	DRAG WASHER
70	J89-4101	MOTOR HOLDER (B) O RING	194	F79-6101	DRAG LIP WASHER
71	B55-7607	MOTOR HOLDER (B) SCREW	195	G35-8501	DRAG DISC WASHER
72	M18-2201	MOTOR HOLDER (B) COLLAR	200	G69-7601	DRAG PACKING
73	F68-2602	MOTOR HOLDER (B) WASHER	201	F65-7801	DRAG O RING
74	M20-1001	MOTOR HOLDER (B) PLATE	202	M09-3901	DRAG DISC COLLAR
75	375-3003	LS SET PLATE WASHER	203	M35-1401	DRAG COLLAR
80	M19-8201	LS SET PLATE SCREW (A)	204	G52-3401	HANDLE BALL BEARING
81	B55-7607	LS SET PLATE SCREW (B)	205	M15-9801	POWER LEVER
82	M15-9401	SPOOL	210	J03-7601	POWER LEVER O RING (A)
83	M25-5301	MOTOR HOLDER (A) WASHER	211	F65-7801	JOG POWER LEVER O RING (B)
84	M25-5401	MOTOR HOLDER (A) RING	212	G71-1001	JOG POWER LEVER COLLAR
85	M18-2801	SPOOL GEAR (A)	213	M15-8201	RS PLATE
89	M38-9701	SPOOL GEAR COLLAR	214	J26-8201	CLUTCH LEVER WASHER
90	F77-4604	SPOOL GEAR WASHER	215	373-7817	CLEARANCE ADJUSTMENT WASHER (E)
91	E34-2401	SPOOL GEAR BEARING	220	M19-8301	CLUTCH LEVER
92	M18-2301	SPOOL GEAR (B)	221	M19-8401	CLUTCH LEVER SCREW
93	M18-2601	SPOOL PLATE COLLAR	222	F59-7903	CLUTCH CAM
94	M20-0101	SPOOL PLATE	223	J27-5301	CLUTCH CAM SPRING
95	B39-5905	SPOOL PLATE SCREW	224	160-8001	CLUTCH CAM WASHER
100	M16-0401	SET PLATE	225	353-8212	CLUTCH CAM SCREW
101	G07-6501	IDLE GEAR (A) COLLAR	230	E28-6001	LINE STOPPER
102	G67-3301	IDLE GEAR (A)	231	H75-3312	RS PLATE SCREW (A)
103	351-1801	IDLE GEAR (A) SCREW	232	H75-3313	RS PLATE SCREW (B)
104	G43-7701	IDLE GEAR (B) COLLAR	233	B73-7806	HANDLE BEARING WASHER
105	F59-2101	IDLE GEAR (B)	234	E25-3501	DRAG SPRING WASHER
110	F44-0201	IDLE GEAR (B) WASHER	235	H69-1901	DRAG HOLDER
111	B55-7607	IDLE GEAR (B) SCREW	240	H93-3201	DRAG LEAF SPRING
112	G08-1901	GEAR SHAFT BUSH	241	H92-9501	STAR DRAG WASHER
113	M15-8901	GEAR SHAFT	242	H93-3509	STAR DRAG
114	375-5804	GEAR SHAFT WASHER	243	F86-3202	HANDLE COLLAR
115	375-5802	CLEARANCE ADJUSTMENT WASHER (B)	244	M37-2601	HANDLE
120	320-7601	GEAR SHAFT RETAINER	245	F84-9901	HANDLE NUT
121	J26-8201	ZERO ADJUSTER KNOB WASHER (A)	250	J21-3502	HANDLE CAP
122	F38-8201	ZERO ADJUSTER KNOB SPRING	251	G04-0803	HANDLE CAP SCREW
123	M20-0601	ZERO ADJUSTER KNOB	252	F66-1002	CONNECTOR CAP
124	375-3003	ZERO ADJUSTER KNOB WASHER (B)	253	M18-1801	CORD
125	320-5901	ZERO ADJUSTER KNOB RETAINER	900	F18-7601	CLAMP SCREW
126	F67-3802	ZERO ADJUSTER WASHER (A)	901	B93-7802	CLAMP SCREW WASHER
130	B17-5504	ZERO ADJUSTER WASHER (B)	902	F18-7801	CLAMP SCREW NUT
131	J05-6901	ZERO ADJUSTER WASHER (C)	903	O41-9901	CLAMP PLATE
132	G21-2401	ZERO ADJUSTER WASHER (D)	904	342-5301	CLAMP PLATE NUT