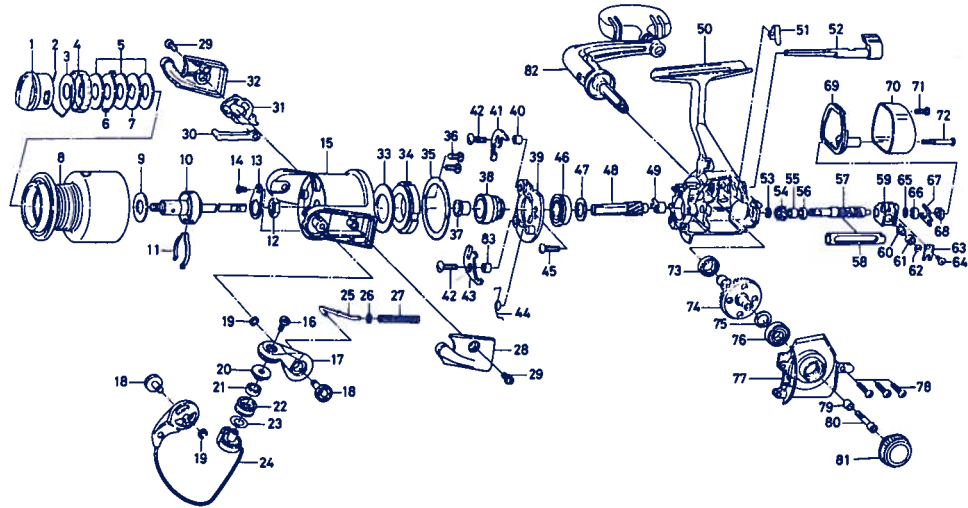


SPINNING REEL TOURNAMENT T-Z3000i



Key No.	Parts No.	Parts Name	Key No.	Parts No.	Parts Name
2-8	F35-5901	Spool assembly	42	E45-4001	Anti-reverse pawl screw
1	F22-7501	Drag knob	43	F23-8901	Anti-reverse pawl
2	F06-2601	Drag washer retainer	44	F22-7101	Anti-reverse pawl spring
3	F01-6001	Click plate washer	45	351-6601	Bearing retainer screw
4	E12-2803	Drag knob click plate	46	F25-2901	Ball bearing B
5	B38-0204	Drag washer	47	F26-2801	Spacer
6	E15-0101	Eared washer	48	F36-8401	Pinion gear
7	B65-2302	Key washer	49	E34-4101	Pinion collar
8	F35-6001	Spool assembly	50	F35-4901	Body assembly
9	F06-2701	Spool washer	51	E26-8701	Anti-reverse cam spring
10	F36-0101	Main shaft assembly	52	F01-2712	Anti-reverse lever
11	B74-7702	Spool click leaf spring	53	320-5901	Worm shaft gear retainer
12	340-6605	Rotor nut	54	F02-1301	Worm shaft gear
13	B66-2603	Rotor nut holding plate	55	F28-2101	Worm shaft bush
14	E17-9501	Rotor nut holding plate screw	56	E33-2501	Ball bearing C
15	F35-5001	Rotor	57	F28-2901	Worm shaft
16	F14-2003	Line roller screw	58	F28-2602	Worm shield cover
17	F34-5801	Bail arm	59	F02-0902	Oscillating slider
18	F34-5901	Bail arm screw	60	F02-1202	Oscillating pawl
19	320-5901	Bail arm screw retainer	61	E19-1301	Oscillating pawl bush
20	F06-6302	Line roller collar	62	375-0801	Oscillating pawl washer
21	F05-5601	Ball bearing A	63	E24-4901	Oscillating slider cover
22	F06-3201	Line roller	64	352-1502	Oscillating slider cover screw
24	F35-5501	Bail assembly	65	375-4101	Worm shaft washer
25	E12-4701	Bail spring shaft	66	F28-2201	Ball bearing D
26	E31-3901	Bail spring washer	67	F28-2301	Worm shaft retainer
27	E43-5401	Bail spring	68	F28-2401	Worm shaft collar
28	F35-5401	Bail spring cover	69	F01-6102	Water shield
29	F01-3701	Bail spring cover screw	70	F01-6206	Rear cover
30	F35-5701	Bail trip plate	71	F01-6302	Rear cover screw A
31	F34-6401	Bail trip lever	72	F01-7202	Rear cover screw B
32	F35-5801	Bail trip cover	73	B86-1701	Ball bearing E
33	F19-7302	Oiled washer	74	F02-1602	Drive gear
34	F18-2901	Roller clutch	75	373-7810	Drive gear washer
35	F25-6301	Roller clutch retainer	76	B62-8601	Ball bearing F
36	353-0001	Roller clutch screw	77	F02-1802	Side cover
37	F25-3001	Spacing sleeve	78	351-1106	Side cover screw
38	F23-9102	Anti-reverse ratchet	79	F18-3701	Handle collar
39	F23-8303	Bearing retainer	80	F38-7101	Handle screw
40	F22-6801	Anti-reverse pawl collar A	81	F24-6201	Handle screw cap
41	F23-8802	Anti-reverse pawl plate	82	F39-0801	Handle assembly