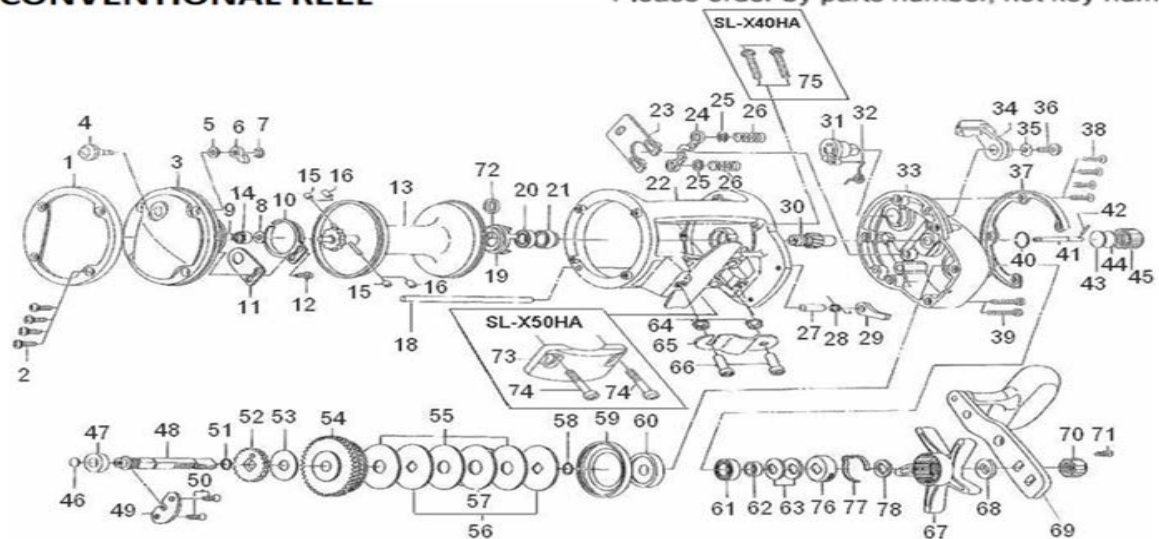


CONVENTIONAL REEL

SL-X40,50SHA

*Please order by parts number, not key number.



Key No	Part No	Description
1	F09-9404	L/S OUTER RING
2	F09-3601	L/S PLATE SCREW
3	F78-8508	L/S PLATE
4	E36-1301	CLICK BUTTON
5	373-1602	CLICK BUTTON WASHER
6	030-6223	CLICK PAWL
7	320-1402	CLICK PAWL RETAINER
8	F13-2602	SPACER A
9	375-7411	SPACER B
10	160-7922	CLICK LEAF SPRING
11	F13-1801	CLICK SPRING RETAINER
12	B83-4402	CLICK SPRING SCREW
13	F78-8602	SPOOL
14	G42-7701	BALL BEARING A
15	B35-2801	BRAKE COLLAR A
16	B35-2701	BRAKE COLLAR B
18	F73-6803	STABILIZER BAR
19	F21-6201	BEARING RETAINER
20	G53-5106	BALL BEARING B
21	F73-3201	BUSHING
22	G78-1902	FRAME
23	F09-7901	YOKE PLATE
24	E25-2102	YOKE
25	E03-7706	YOKE WASHER
26	F93-5201	YOKE SPRING
27	F09-8201	A/R PAWL PIN
28	F77-4401	A/R PAWL SPRING
29	F73-3401	A/R PAWL
30	F78-9801	PINION GEAR
31	F09-7301	CLUTCH CAM
32	F38-5801	CLUTCH SPRING
33	F09-6922	R/S PLATE
34	E42-6816	CLUTCH LEVER
35	160-8001	CLUTCH LEVER WASHER
36	E00-7602	CLUTCH LEVER SCREW
37	F09-7205	R/S OUTER RING
38	F09-3601	R/S PLATE SCREW A
39	F73-4302	R/S PLATE SCREW B
40	B05-5201	O RING A
41	F73-2701	PINION SHAFT
42	F73-2801	PIN
43	375-7501	SPACER C
44	B17-5503	SPACER D
45	E31-5408	CAST CONTROL CAP
46	F73-3501	DRIVE SHAFT WASHER A

Key No	Part No	Description
47	B73-8001	DRIVE SHAFT BUSH
48	F73-3602	DRIVE SHAFT
49	F09-8401	DRIVE SHAFT RETAINER
50	E31-6701	DRIVE SHAFT RETAINER SCREW
51	F65-7801	O RING B
52	F55-5102	A/R RATCHET
53	F73-3701	DRIVE SHAFT WASHER B
54	F78-9901	DRIVE GEAR
55	F87-7501	DRAG WASHER
56	E31-7001	KEY WASHER
57	E31-7101	EARED WASHER
58	F65-7801	O RING C
59	F73-3901	WATER SHIELD
60	F73-4001	COLLAR
61	G48-1901	BALL BEARING C
62	F73-4201	BEARING WASHER
63	E25-3501	DRAG SPRING WASHER
64	F18-7801	ROD CLAMP NUT
65	041-5601	ROD CLAMP
66	F18-7701	CLAMP NUT
67	F55-0408	STAR DRAG
68	E25-3901	SPACING SLEEVE
69	G78-1501	HANDLE
70	G22-0306	HANDLE NUT
71	G21-8201	HANDLE NUT SCREW
72	F77-4701	BALL BEARING COLLAR
73	-----	----
74	-----	----
75	F18-7601	ROD CLAMP SCREW
76	F47-0002	CLICK LEAF SPRING HOLDER
77	B74-7702	CLICK SPRING
78	F47-0101	FRICTION WASHER

SL-X50SHA Special Parts

Key No	Part No	Description
3	F78-8204	L/S PLATE
13	F78-8302	SPOOL
18	F09-9303	STABILIZER BAR
22	G78-2602	FRAME
64	-----	----
65	-----	----
66	-----	----
73	E31-8301	ROD CLAMP
74	E31-8401	CLAMP BOLT