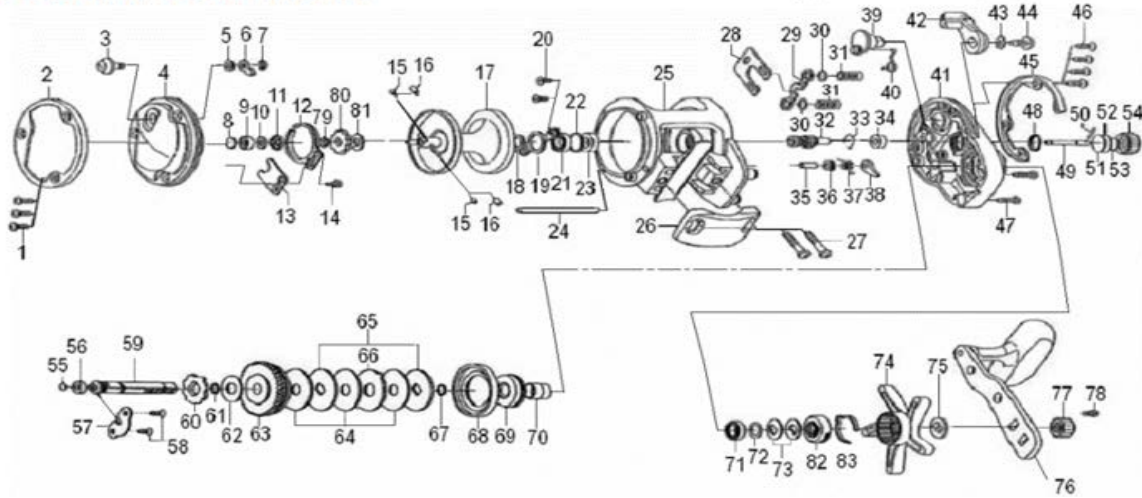


SL-X20,30SHA

CONVENTIONAL REEL

SL-X20,30SHA

*Please order by parts number, not key number.



Key No	Part No	Description
1	F09-3601	L/S PLATE SCREW
2	E31-8204	L/S OUTER RING
3	E36-1301	CLICK BUTTON
4	E31-7815	L/S PLATE
5	373-1602	CLICK BUTTON WASHER
6	030-6612	CLICK PAWL
7	320-1402	CLICK PAWL RETAINER
8	375-7405	SPACER A
9	G51-1501	BALL BEARING A
10	E32-6601	BEARING WASHER A
11	E31-8001	BALL BEARING COLLAR A
12	160-7922	CLICK SPRING
13	E36-1201	CLICK RETAINER
14	B83-4402	CLICK SPRING SCREW
15	B35-2901	BRAKE COLLAR A
16	B35-2701	BRAKE COLLAR B
17	G00-7203	SPOOL
18	F97-5601	BALL BEARING COLLAR B
19	F97-4101	BEARING RETAINER A
20	E31-6701	BEARING RETAINER SCREW
21	G42-7201	BALL BEARING B
22	F94-7102	SPACER B
23	G00-7401	BUSHING A
24	E31-6003	STABILIZER BAR
25	G78-1601	FRAME
26	E31-8301	ROD CLAMP
27	E31-8401	CLAMP BOLT
28	E31-6101	YOKE PLATE
29	E36-1101	YOKE
30	E03-7706	YOKE WASHER
31	F93-5201	YOKE SPRING
32	F97-4201	PINION GEAR
33	B09-5601	BEARING RETAINER B
34	G00-8001	BUSHING B
35	E25-2301	A/R PAWL PIN
36	F00-8001	SPRING HOLDER
37	E31-6502	A/R PAWL SPRING
38	E31-6401	A/R PAWL
39	E31-5501	CLUTCH CAM
40	F02-0301	CLUTCH SPRING
41	F97-3808	R/S PLATE
42	E24-9808	CLUTCH LEVER
43	160-8001	CLUTCH LEVER WASHER
44	E00-7602	CLUTCH LEVER SCREW
45	E31-7304	R/S OUTER RING

Key No	Part No	Description
46	F09-3601	R/S PLATE SCREW A
47	B00-9702	R/S PLATE SCREW B
48	B05-5201	O RING A
49	F94-6901	PINION SHAFT
50	F73-2801	PIN
51	375-7501	SPACER C
52	375-7501	SPACER D
53	B17-5503	SPACER E
54	E31-5408	CAST CONTROL CAP
55	F57-5602	DRIVE SHAFT WASHER A
56	F00-3101	DRIVE SHAFT BUSH
57	E19-9401	DRIVE SHAFT RETAINER
58	E31-6701	DRIVE SHAFT RETAINER SCREW
59	F97-4301	DRIVE SHAFT
60	E25-2903	A/R RATCHET
61	F65-7801	O RING B
62	374-6604	DRIVE SHAFT WASHER B
63	F97-4401	DRIVE GEAR
64	F97-4501	DRAG WASHER
65	F97-4701	KEY WASHER
66	F97-4601	EARED WASHER
67	F65-7801	O RING C
68	F97-4801	WATER SHIELD
69	F97-4901	COLLAR A
70	G00-7501	COLLAR B
71	G42-7201	BALL BEARING C
72	F36-6803	BEARING WASHER B
73	E25-3501	DRAG SPRING WASHER
74	F55-0408	STAR DRAG
75	E25-3901	SPACING SLEEVE
76	G78-1501	HANDLE
77	G22-0306	HANDLE NUT
78	G21-8201	HANDLE NUT SCREW
79	320-1402	CLICK SPRING RETAINER
80	B21-6701	CLICK GEAR
81	E36-1402	CLICK GEAR WASHER
82	F17-0501	DRAG HOLDER
83	B74-7702	CLICK LEAF SPRING

SL-X30SHA Special Parts

Key No	Part No	Description
4	E31-7816	L/S PLATE
17	G00-7303	SPOOL
24	E40-4604	STABILIZER BAR
25	G78-1701	FRAME