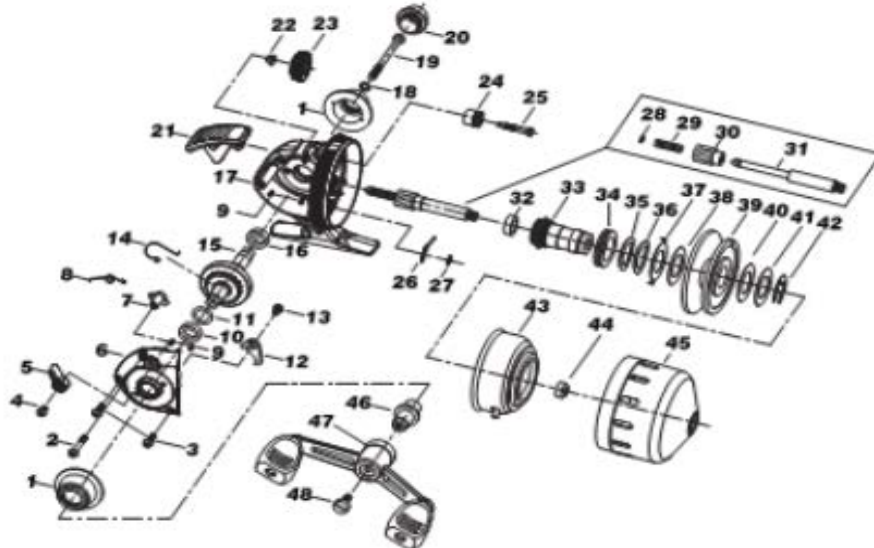


Please order by parts number, not key number
 Bitte Best.-Nr. angeben (Nicht "Key"-Nr.)
 Veuillez indiquer le numéro de la pièce (Non "Key" No.)



SPINCASTING REEL SILVERCAST 80B / 100B / 120B



Key No Part No Description

1	D64-1010	Side ring
2	315-1010	Screw (A)
3	315-2010	Screw (B)
4	315-3010	Screw C
5	D64-2010	Anti-reverse lever
6	D64-3010	Side cover
7	315-7010	Anti-reverse cam
8	315-8010	Anti-reverse cam spring
9	315-9010	Screw (D)
10	316-0010	Ball Bearing
11	316-1010	Washer (A)
12	316-2010	Anti-reverse pawl
13	316-4010	Screw (E)
14	316-5010	Anti-reverse pawl spring
15	316-6010	Drive gear
16	316-0010	Ball Bearing
17	D64-4010	Body
18	317-0010	Washer C
19	317-1010	Drive shaft
20	317-2010	Cap
21	D64-5010	Push button
22	317-4010	Drag collar
23	D64-6010	Drag dial
24	317-6010	Drag gear A
25	317-7010	Screw (F)
26	319-7010	Click spring
27	317-9010	Retainer
28	318-0010	Spring retainer
29	318-1010	Main shaft spring
30	596-6010	Pinion gear
31	318-3010	Main shaft
32	316-0010	Ball Bearing
33	318-6010	Spool metal
34	318-8010	Drag plate

Key No Part No Description

35	D64-7010	Drag spring washer
36	D64-8010	Drag spring washer
37	319-0010	Eared washer
38	D64-9010	Drag washer
39	596-7010	Spool
40	319-1010	Drag washer
41	319-5010	Key washer
42	319-6010	Spool retainer
43	D65-0010	Rotor
44	320-3010	Rotor nut
45	D65-1010	Front cover
46	320-7010	Handle metal
47	D65-2010	Handle
48	320-9010	Handle screw

SC100B Special Parts

Key No Part No Description

6	D65-3010	Side cover
12	D65-4010	Anti-reverse pawl
17	D65-5010	Body
39	597-3010	Spool
43	D65-6010	Rotor
45	D65-7010	Front cover

SC120B Special Parts

Key No Part No Description

6	D65-3010	Side cover
12	D65-4010	Anti-reverse pawl
17	D65-8010	Body
31	318-4010	Main shaft
33	318-7010	Spool metal
39	597-7010	Spool
43	D65-9010	Rotor
45	D66-0010	Front cover