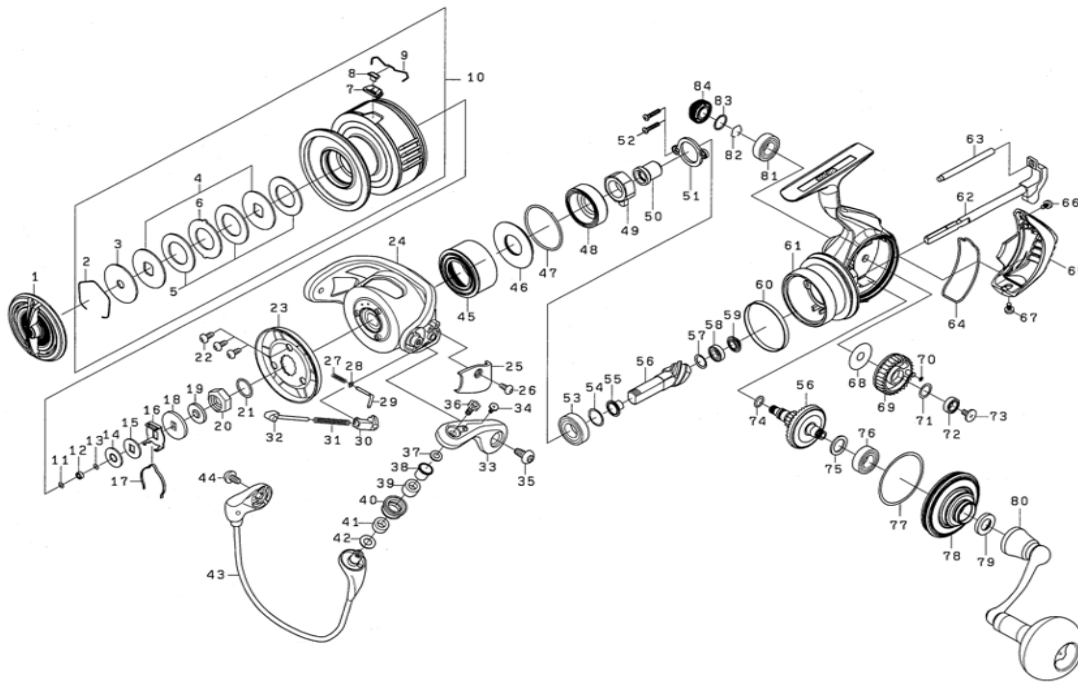


DAIWA

SPINNING REEL

SALTISTMQ5000D-H_6000D-H

*Please order by parts number, not key number.



Key No	Part No	Description	Key No	Part No	Description
1	J96-1701	DRAG KNOB	46	M17-0401	MAGSEALED PLATE
2	170-4101	DRAG WASHER RETAINER	47	M17-5401	MADSEALED CAP O RING
3	J97-9901	DRAG KNOB WASHER	48	M17-0601	MADSEALED COLLAR
4	J57-7501	KEY WASHER	49	J30-9101	ONEWAY CLUTCH
5	J57-7203	DRAG WASHER	50	J69-0501	CLUTCH RING
6	J57-7301	EARED WASHER	51	J02-0801	BEARING PLATE
7	J56-8601	LINE STOPPER PLATE	52	J00-0901	BEARING PLATE SCREW
8	J55-8001	LINE STOPPER	53	G52-2802	PINION BALL BEARING (A)
9	J31-4801	LINE STOPPER SPRING	54	371-2824	PINION BEARING(A) WASHER01mm
10	M17-8301	SPOOL ASSY	55	M05-7101	PINION COLLAR
11	M00-5501	SPOOL BEARING WASHER (A)	56	Z02-5299	PINION DRIVE GEAR SET
12	G46-6206	SPOOL BALL BEARING (A)	57	G57-2501	PINION WASHER
13	E09-6505	SPOOL BEARING WASHER (B)	58	G46-7102	PINION BALL BEARING (B)
14	F05-0104	SPOOL WASHER (A)	59	J42-8101	PINION BEARING (B) COLLAR
15	F05-0002	SPOOL WASHER (B)	60	J96-4001	ROTOR BRAKE RING
16	M06-9601	CLICK SPRING HOLDER	61	M17-8201	BODY
17	B74-7701	CLICK LEAF SPRING	62	J96-0201	MAIN SHAFT
18	F04-9901	SPOOL WASHER (C)	63	H61-4301	OSCILLATING POST
19	H99-5201	ROTOR NUT PACKING	64	J96-0901	REAR COVER PACKING
20	M05-7201	ROTOR NUT	65	J96-1001	REAR COVER
21	G16-2401	ROTOR NUT O RING	66	M05-6601	REAR COVER SCREW (A)
22	H41-7701	ROTOR COVER SCREW	67	M05-6602	REAR COVER SCREW (B)
23	J96-4501	ROTOR COVER	68	G64-4201	OSCILLATING GEAR WASHER
24	H62-0202	ROTOR	69	G64-4302	OSCILLATING GEAR
25	H62-0701	ARM LEVER COVER	70	B85-3101	OSCILLATING GEAR O RING
26	H50-3901	ARM LEVER COVER SCREW	71	G52-2103	OSCILLATING BEARING WASHER01mm
27	H62-0401	ROTOR BRAKE SPRING	72	G46-7105	OSCILLATING GEAR BALL BEARING
28	G68-5401	ROTOR BRAKE WASHER	73	H27-2202	OSCILLATING GEAR SCREW
29	H62-0301	ROTOR BRAKE SHAFT	74	G64-5301	DRIVE O RING
30	H62-0501	ARM LEVER SHAFT HOLDER	75	373-7808	DRIVE BEARING WASHER01mm
31	H73-6301	ARM LEVER SPRING	76	G52-3405	DRIVE BALL BEARING (A)
32	G01-7503	ARM LEVER SHAFT	77	H50-2602	BODY COVER O RING
33	H62-0603	ARM LEVER	78	M17-0301	BODY COVER (L)
34	H63-8403	RETAINING SCREW	79	H73-0801	BODY COVER PACKING
35	H50-3701	ARM LEVER SCREW	80	M17-0901	HANDLE ASSY
36	H50-4701	ROLLER SCREW	81	B86-1704	DRIVE BALL BEARING (B)
37	E09-6501	ROLLER WASHER	82	G52-5101	DRIVE BEARING RETAINER
38	M16-2701	ROLLER COLLAR (A)	83	G67-2401	HANDLE CAP O RING
39	M16-2801	ROLLER COLLAR (B)	84	J96-4101	HANDLE CAP
40	J18-6601	LINE ROLLER			
41	J18-6501	ROLLER COLLAR (C)			
42	J19-2901	ROLLER COLLAR (D)			
43	H62-0801	BAIL			
45	J96-1602	MAGSEALED CAP			

SALTISTMQ6000D-H Special Parts		
Key No	Part No	Description
10	M17-0701	SPOOL ASSY
61	M17-0201	BODY