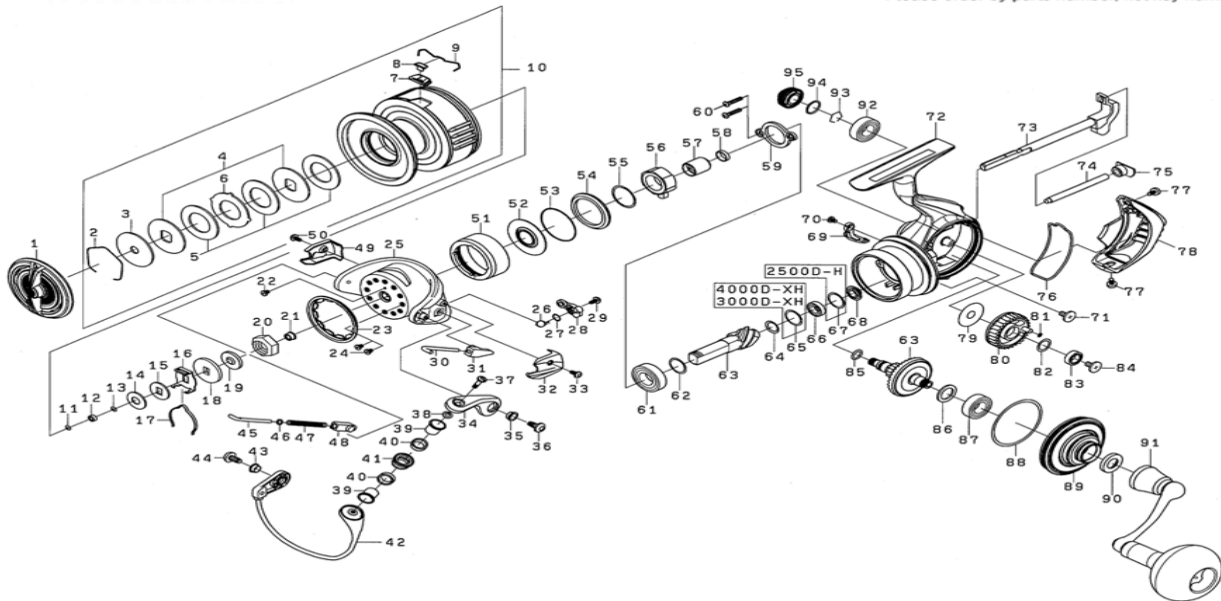


SALTISTM

SPINNING REEL

SALTISTMQ2500D-H_3000D-XH_4000D-XH

*Please order by parts number, not key number.



Key No	Part No	Description
1	M08-4601	DRAG KNOB
2	J54-7101	DRAG WASHER RETAINER
3	M03-7701	DRAG KNOB WASHER
4	J54-7001	KEY WASHER
5	J54-6803	DRAG WASHER
6	J54-6902	EARED WASHER
7	J55-8101	LINE STOPPER PLATE
8	J55-8001	LINE STOPPER
9	J31-4801	LINE STOPPER SPRING
10	M17-3301	SPOOL ASSY
11	M03-7401	SPOOL BEARING WASHER (A)
12	G46-9005	SPOOL BALL BEARING (A)
13	B41-1706	SPOOL BEARING WASHER (B)
14	E39-8003	SPOOL WASHER (A)
15	E46-7101	SPOOL WASHER (B)
16	M02-1401	CLICK HOLDER
17	H41-6101	CLICK LEAF SPRING
18	J70-3101	SPOOL WASHER (C)
19	H98-6901	ROTOR NUT PACKING
20	M18-1301	ROTOR NUT
21	J80-8501	ROTOR NUT COLLAR
22	H02-2701	ROTOR NUT SCREW
23	J53-8101	ROTOR COVER
24	J53-6802	ROTOR
25	J43-5201	BAIL TRIP LEVER SPRING
26	J33-9502	BAIL TRIP LEVER WASHER
27	J53-6901	BAIL TRIP LEVER
28	H41-7701	BAIL TRIP LEVER SCREW
29	J25-4601	ARM LEVER SHAFT
30	J25-4701	ARM LEVER SHAFT HOLDER
31	J53-7102	ARM LEVER COVER
32	J25-5201	ARM LEVER COVER SCREW
33	J25-4812	ARM LEVER
34	J25-4901	ARM LEVER COLLAR
35	J25-5001	ARM LEVER SCREW
36	J25-7001	ROLLER SCREW
37	F89-7101	ROLLER WASHER
38	M16-2601	ROLLER COLLAR (A)
39	M16-2501	ROLLER COLLAR (B)
40	J25-6502	LINE ROLLER
41	J89-0701	BAIL
42	G47-1803	BAIL SPRING SHAFT
43	G68-5401	BAIL SPRING WASHER
44	M10-8801	BAIL SPRING
45	G47-1601	BAIL SPRING HOLDER
46	J53-7702	BAIL SPRING COVER
47	J77-7906	MAGSEALED CAP
48	J77-7601	MAGSEALED PLATE
49	J79-1001	MADSEALED CAP O RING
50	J77-7802	MADSEALED COLLAR
51	J53-7101	ONEWAY CLUTCH WASHER
52	J38-8402	ONEWAY CLUTCH
53	J53-6102	CLUTCH RING
54	J53-6202	CLUTCH RING COLLAR
55	J77-8201	BEARING PLATE
56	J00-0901	BEARING PLATE SCREW
57	G46-7302	PINION BALL BEARING (A)
58	375-8502	PINION BEARING(A) WASHER01mm
59	Z02-5766	PINION DRIVE GEAR SET
60	H93-1701	PINION SPRING WASHER
61	-----	----
62	G46-6202	PINION BALL BEARING (B)
63	G46-6103	PINION BEARING (B) WASHER01MM
64	J38-7701	PINION BEARING (B) COLLAR
65	J02-2601	BAIL TRIP COLLAR
66	G94-0408	BAIL TRIP COLLAR SCREW (A)
67	H53-1510	BAIL TRIP COLLAR SCREW (B)
68	M17-3001	BODY

Key No	Part No	Description
69	M08-3201	MAIN SHAFT
70	H59-6301	OSCILLATING POST
71	M03-9401	OSCILLATING POST COLLAR
72	M08-4001	REAR COVER PACKING
73	M03-6601	REAR COVER SCREW
74	M08-5101	REAR COVER
75	H59-5701	OSCILLATING GEAR WASHER
76	H62-9101	OSCILLATING GEAR
77	H77-0601	OSCILLATING GEAR O RING
78	H12-9201	OSCILLATING BEARING WASHER01mm
79	G94-0402	OSCILLATING GEAR SCREW
80	G67-0501	DRIVE O RING
81	J55-3001	BODY COVER O RING
82	M17-3201	BODY COVER (L)
83	J13-0201	HANDLE PACKING
84	M17-3501	HANDLE ASSY
85	G52-2706	DRIVE BALL BEARING (B)
86	G47-2401	DRIVE BEARING RETAINER
87	G16-2401	HANDLE CAP O RING
88	J41-8102	HANDLE CAP

SALTISTMQ3000D-XH Special Parts

Key No	Part No	Description
10	M17-4101	SPOOL ASSY
23	J25-7101	ROTOR COVER
25	J25-4307	ROTOR
28	J25-4401	BAIL TRIP LEVER
32	J25-5101	ARM LEVER COVER
42	J89-1101	BAIL
47	J25-5301	BAIL SPRING
48	G47-1602	BAIL SPRING HOLDER
49	J25-5901	BAIL SPRING COVER
61	G53-5104	PINION BALL BEARING (A)
63	Z02-5620	PINION DRIVE GEAR SET
64	H81-4902	PINION SPRING WASHER
65	E09-6500	PINION BEARING (B) WASHER01MM
66	G53-8007	PINION BALL BEARING (B)
68	J55-2001	PINION BEARING (B) COLLAR
69	J00-1101	BAIL TRIP COLLAR
72	M17-3801	BODY
73	M03-6202	MAIN SHAFT
74	H61-4301	OSCILLATING POST
76	M03-9501	REAR COVER PACKING
78	M03-9601	REAR COVER
80	J13-6101	OSCILLATING GEAR
81	G46-6001	OSCILLATING GEAR O RING
89	M17-4001	BODY COVER (L)

SALTISTMQ4000D-XH Special Parts

Key No	Part No	Description
1	M03-7801	DRAG KNOB
7	J56-8601	LINE STOPPER PLATE
10	M17-8501	SPOOL ASSY
23	J28-4001	ROTOR COVER
25	J57-1903	ROTOR
28	J57-2001	BAIL TRIP LEVER
30	J26-2601	ARM LEVER SHAFT
31	J26-2701	ARM LEVER SHAFT HOLDER
32	J57-2202	ARM LEVER COVER
42	J90-3401	BAIL
45	G29-8201	BAIL SPRING SHAFT
47	G94-4501	BAIL SPRING
49	J57-2702	BAIL SPRING COVER
72	M17-8801	BODY
73	M03-6201	MAIN SHAFT
80	M03-6701	OSCILLATING GEAR
91	M17-8701	HANDLE ASSY