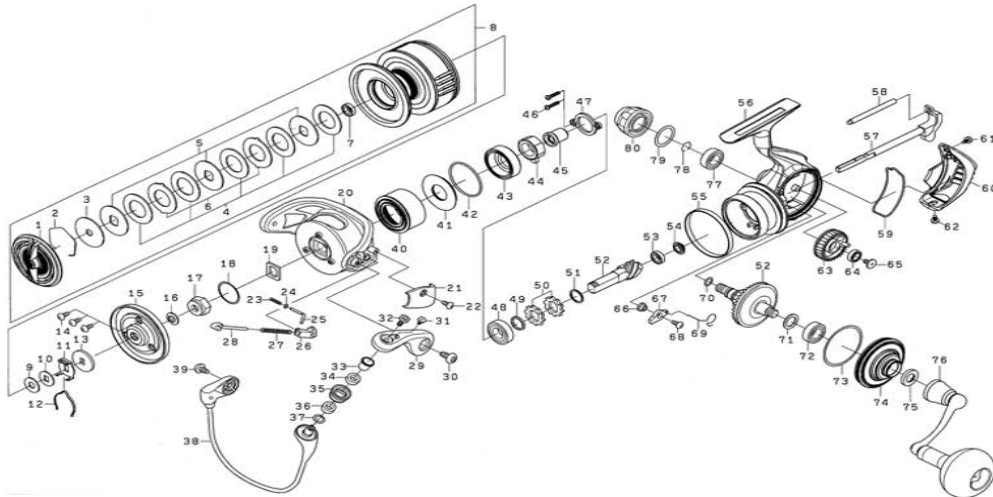


DAVA SPINNING REEL

SALTISTMQ18000_20000

*Please order by parts number, not key number.



Key No	Part No	Description
1	M02-9201	DRAG KNOB
2	F88-4001	DRAG WASHER RETAINER
3	H38-0901	DRAG KNOB WASHER
4	J56-1601	DRAG WASHER
5	H17-5101	KEY WASHER
6	G70-0701	EARED WASHER
7	B35-8607	SPOOL BALL BEARING
8	M18-6201	SPOOL ASSY
9	F05-0104	SPOOL WASHER (A)
10	F05-0002	SPOOL WASHER (B)
11	H32-3701	CLICK SPRING HOLDER
12	G34-1401	CLICK LEAF SPRING
13	F04-9901	SPOOL WASHER (C)
14	G27-0801	ROTOR COVER SCREW
15	M02-1101	ROTOR COVER
16	H10-7201	ROTOR NUT PACKING
17	M02-1001	ROTOR NUT
18	F27-4501	ROTOR NUT O RING
19	J31-6501	ROTOR NUT PLATE
20	H68-4505	ROTOR
21	H68-4801	ARM LEVER COVER
22	H50-3901	ARM LEVER COVER SCREW
23	H78-2801	ROTOR BRAKE SPRING
24	E27-2501	ROTOR BRAKE WASHER
25	H68-4601	ROTOR BRAKE SHAFT
26	H68-4701	ARM LEVER SHAFT HOLDER
27	G41-8101	ARM LEVER SPRING
28	G33-7301	ARM LEVER SHAFT
29	H50-3605	ARM LEVER
30	H50-3701	RETAINING SCREW
31	H84-2801	ARM LEVER SCREW
32	H50-4701	ROLLER SCREW
33	M16-2701	ROLLER COLLAR (A)
34	M16-2801	ROLLER COLLAR (B)
35	J04-2901	LINE ROLLER
36	J04-2801	ROLLER COLLAR (C)
37	E09-6501	ROLLER WASHER
38	J88-9901	BAIL
40	M02-0603	MAGSEALED CAP
41	M17-0401	MAGSEALED PLATE
42	M17-5401	MADSEALED CAP O RING

Key No	Part No	Description
43	M17-0601	MADSEALED COLLAR
44	J30-9101	ONEWAY CLUTCH
45	M18-6801	CLUTCH RING
46	J00-1601	BEARING PLATE SCREW
47	J30-8401	BEARING PLATE
48	G42-6301	PINION BALL BEARING (A)
49	H24-3901	PINION COLLAR
50	E26-2701	ANTI REVERSE RATCHET
51	E33-9701	PINION WASHER
52	Z02-2625	PINION DRIVE GEAR SET
53	B86-1704	PINION BALL BEARING (B)
54	J30-8101	PINION BEARING (B) COLLAR
55	J62-8302	ROTOR BRAKE RING
56	M18-6001	BODY
57	M02-0101	MAIN SHAFT
58	J30-8001	OSCILLATING POST
59	M02-0401	REAR COVER PACKING
60	M02-0501	REAR COVER
61	M05-6601	REAR COVER SCREW (A)
62	M05-6602	REAR COVER SCREW (B)
63	J30-7601	OSCILLATING GEAR
65	H34-7101	OSCILLATING GEAR SCREW
66	H24-3301	ANTI REVERSE COLLAR
67	M03-0401	ANTI REVERSE PAWL
68	351-6401	ANTI REVERSE SCREW
69	J30-8601	ANTI REVERSE SPRING
70	J30-8501	DRIVE GEAR O RING
71	371-2824	DRIVE BEARING WASHER01mm
72	G52-2802	DRIVE BALL BEARING (A)
73	J92-0601	BODY COVER O RING
74	M18-6101	BODY COVER (L)
75	J43-2001	BODY COVER PACKING
76	M18-6401	HANDLE ASSY
78	H04-7201	DRIVE BEARING RETAINER
79	J04-2501	HANDLE CAP O RING
80	J39-4903	HANDLE CAP

SALTISTMQ20000 Special Parts

Key No	Part No	Description
8	M20-0801	SPOOL ASSY
56	M20-0701	BODY