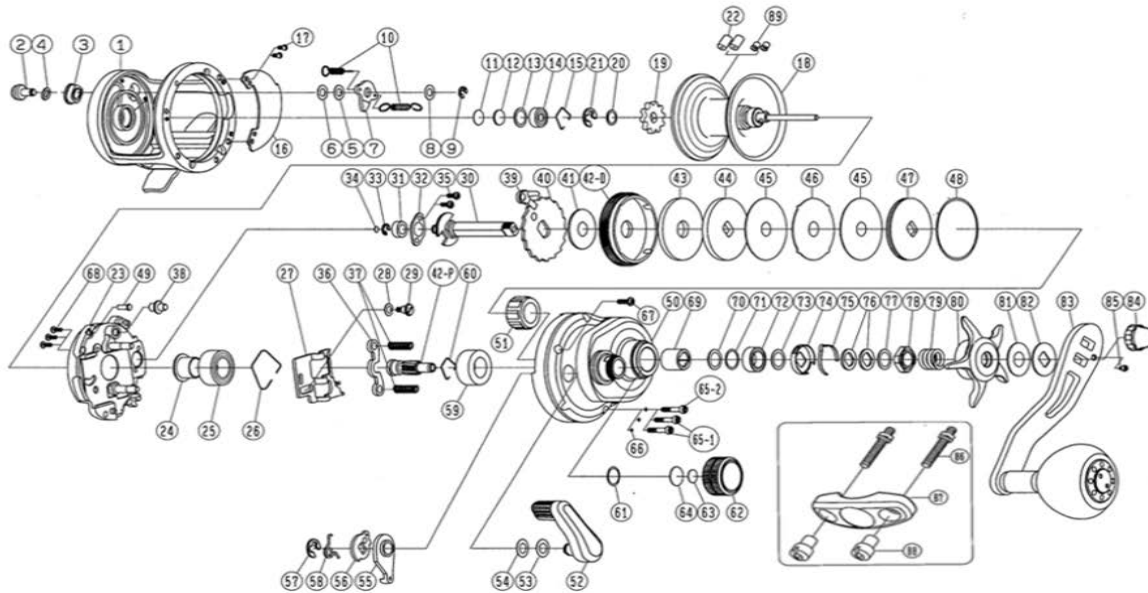


# CONVENTIONAL REEL

## SALTIST15H/20/30H

\*Please order by parts number, not key number.



Key	Part No	Description
1	E74-8201	FRAME ASSY
2	E72-5102	CLICK LEVER
3	E72-5201	CLICK LEVER COLLAR
4	E72-5301	CLICK LEVER WASHER
5	E61-7403	CLIC PLATE WASHER (A)
6	E61-7401	CLIC PLATE WASHER (B)
7	E74-4501	CLIC PLATE
8	373-1603	CLIC PLATE WASHER (C)
9	320-1402	CLIC PLATE RETAINER
10	E74-4701	CLICK PLATE SPRING
11	375-7404	LS BEARING WASHER (A)
12	E71-0501	LS BEARING WASHER (B)
13	E70-3301	LS BEARING WASHER (C)
14	G42-7701	LS BALL BEARING
15	E70-9501	LS BEARING RING
16	E69-9204	RS COVER PLATE
17	E70-9701	RS COVER PLATE SCREW
18	E74-8401	SPOOL ASSY
19	E72-4401	CLICK GEAR
20	375-8501	CLICK GEAR WASHER
21	320-7601	CLICK GEAR RETAINER
22	E74-4301	BRAKE COLLAR (A)
23	E74-8801	SET PLATE
24	E70-0701	SET PLATE BEARING COLLAR
25	G15-6803	SET PLATE BALL BEARING
26	E75-1801	SET PLATE BEARING RING
27	E70-0902	SLIDE PLATE
28	E70-9801	SLIDE PLATE SCREW WASHER
29	E70-6801	SLIDE PLATE SCREW
30	E75-1601	GEAR SHAFT
31	E57-5301	GEAR SHAFT BALL BEARING
32	E70-0601	GEAR SHAFT PLATE
33	320-8002	GEAR SHAFT BEARING RETAINER
34	E70-9901	GEAR SHAFT WASHER
35	E75-1701	GEAR SHAFT PLATE SCREW
36	E70-1101	CLUTCH PLATE
37	E70-8501	CLUTCH PLATE SPRING
38	E70-4301	STOPPER PIN
39	E71-0001	STOPPER ASSY
40	E70-1203	RATCHET
41	E71-4701	DRIVE GEAR WASHER
42-D	E74-9101	DRIVE GEAR
42-P	E70-3401	PINION GEAR
43	E74-9201	DRAG WASHER (A)
44	E70-4901	DRAG DISC WASHER (A)
45	E63-0402	DRAG WASHER (B)
46	E70-1401	DRAG LIP WASHER
47	E74-9301	DRAG DISC WASHER (B)
48	E72-5701	DRAG DISC WASHER O-RING
49	E70-6501	SIDE PLATE PIN
50	E74-9501	RS PLATE
51	E63-3301	ONEWAY CLUTCH

Key	Part No	Description
52	E74-9701	CLUTCH LEVER (A)
53	E70-6901	CLUTCH LEVER WASHER (A)
54	E71-1101	CLUTCH LEVER WASHER (B)
55	E70-0101	CLUTCH CAM PLATE
56	E70-7501	CLUTCH CAM
57	320-7601	CLUTCH CAM RETAINER
58	E70-6401	CLUTCH CAM SPRING
59	E74-9901	PINION BEARING
60	E71-1201	PINION BEARING RING
61	E71-1301	MECHANICAL BRAKE O-RING
62	E75-0001	MECHANICAL BRAKE KNOB
63	B17-5503	MECHANICAL BRAKE WASHER (A)
64	E71-1501	MECHANICAL BRAKE WASHER (B)
65	E70-5301	RS PLATE SCREW (A)
66	E71-1601	RS PLATE SCREW O-RING
67	E70-6701	RS PLATE SCREW (B)
68	E70-5002	SET PLATE SCREW
69	E61-0702	CLUTCH RING
70	E70-9101	GEAR SHAFT WASHER
71	E72-9601	GEAR SHAFT O-RING
72	G52-3403	HANDLE BALL BEARING
73	E70-9103	HANDLE BEARING WASHER
74	E70-9201	DRAG HOLDER
75	E71-5601	DRAG HOLDER LEAF SPRING
76	E70-5601	DRAG SPRING WASHER
77	G69-4201	STAR DRAG WASHER
78	E70-5501	DRAG NUT
79	E71-1701	DRAG NUT SPRING
80	J10-2208	STAR DRAG
81	E71-5101	HANDLE WASHER (A)
82	E71-1901	HANDLE WASHER (B)
83	E75-0101	HANDLE ASSY
84	G22-0306	HANDLE NUT
85	G21-8201	HANDLE NUT SCREW
89	B35-2701	BRAKE COLLAR (B)

### SALTIST20H Special Parts

Key	Part No	Description
1	E75-2501	FRAME ASSY
16	E69-9205	RS COVER PLATE
18	E75-2101	SPOOL ASSY
50	E74-9502	RS PLATE
86	E74-2004	CLAMP BOLT
87	E62-4402	ROD CRAMP
88	H60-0801	CLAMP NUT

### SALTIST30H Special Parts

Key	Part No	Description
1	E75-2701	FRAME ASSY
16	E69-9206	RS COVER PLATE
18	E75-2401	SPOOL ASSY
50	E74-9503	RS PLATE