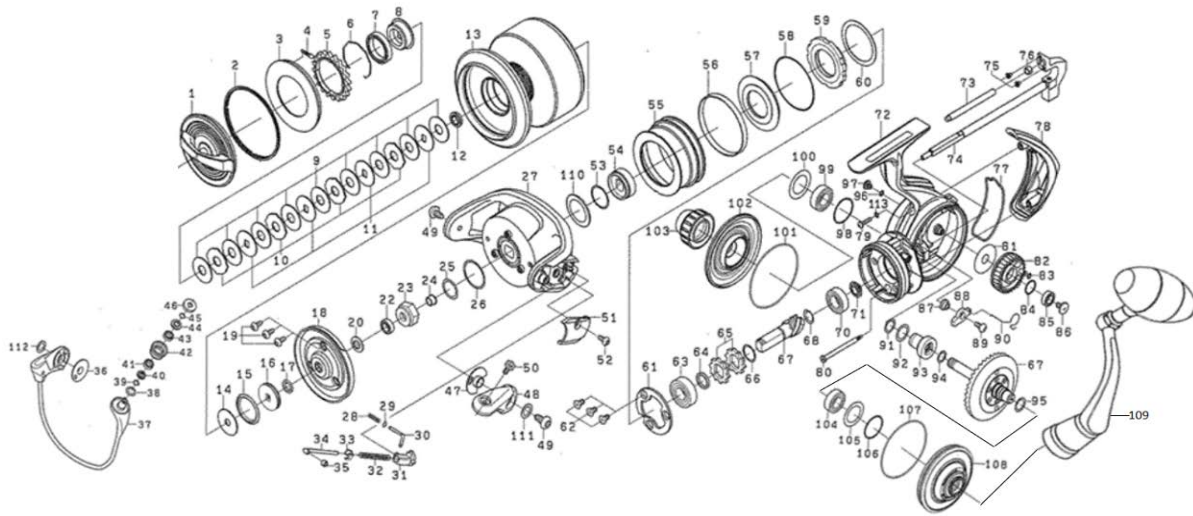


# DYMA

## SPINNING REEL

# SALTIGAG18000H/20000H

\*Please order by parts number, not key number.



Key No	Part No	Description
1	J90-0501	DRAG KNOB
2	M04-2301	CLICK GEAR PLATE RING
3	J90-0301	CLICK GEAR PLATE
4	J91-6501	CLICK GEAR PIN
5	J90-0201	CLICK GEAR
6	J89-9901	SPOOL BALLBEARING(A)RING
7	J89-9801	SPOOL BALLBEARING(A)
8	J92-3401	SPOOL BALLBEARING(A) COLLAR
9	J89-9401	DRAG WASHER
10	J89-9601	DRAG LIP WASHER
11	J92-3301	DRAG DISC WASHER
12	J92-3201	SPOOL BALLBEARING(B)
2~13	J97-7901	SPOOL ASSY
14	J93-7401	SPOOL WASHER
15	J89-8501	SPOOL PLATE PACKING(A)
16	J92-2401	SPOOL PLATE
17	J92-2501	SPOOL PLATE PACKING(B)
18	J93-0401	ROTOR COVER
19	H40-1201	ROTOR COVER SCREW
20	J93-0301	ROTOR NUT PACKING
21	B86-1702	ROTOR NUT BALLBEARING
23	H68-5402	ROTOR NUT
24	J93-0201	ROTOR NUT COLLAR
25	J93-0101	ROTOR NUT WASHER
26	F27-4501	ROTOR NUT"O"RING
27	J92-9301	ROTOR
28	J92-9501	ROTOR BRAKE SPRING
29	J91-9501	ROTOR BRAKE WASHER
30	J92-9401	ROTOR BRAKE SHAFT
31	H68-4701	ARM LEVER SPRING COLLAR
32	G41-8101	ARM LEVER SPRING
33	J91-6001	ARM LEVER SHAFT PLATE
34	J30-9501	ARM LEVER SHAFT
35	J91-6101	ARM LEVER SHAFT COLLAR
36	J89-7401	BAIL HOLDER PLATE
37	J92-9701	BAIL
38	E09-6501	ROLLER WASHER
39	J91-6201	ROLLER MAG COLLAR"O"RING
40	J89-7501	ROLLER MAG COLLAR(A)
41	H73-8902	ROLLER BALLBEARING
42	J89-7801	LINE ROLLER
44	J89-7901	ROLLER MAG COLLAR(B)
46	J91-6301	ROLLER COLLAR
47	J89-6601	ARM LEVER PLATR
48	M03-0501	ARM LEVER
49	J89-6701	HOLDER SCREW
50	H50-4701	ROLLER SCREW
51	J92-9601	ARM LEVER COVER
53	G33-8401	CLUCTH RING"O"RING
54	H68-8601	CLUCTH RING
55	J93-7301	INFINATE COVER
56	J62-8301	INFINATE COVER "O"RING
57	H53-5301	MAG SEALED PLATE
58	H50-2601	MAG SEALED PLATE"O"RING

Key No	Part No	Description
59	F76-5401	ONEWAY CLUCTH
60	G15-8101	ONEWAY CLUCTH WASHER
61	J89-5801	PINION BEARING(A) PLATE
62	F20-6902	PINION BEARING(A) PLATE SCREW
63	G42-6301	PINION BEARING(A)
64	J92-2101	PINION BEARING(A) COLLAR
65	E26-2701	RATCHET
66	372-7602	RATCHET WASHER
67	Z02-5447	PINION + DRIVE GEAR SET
68	J92-1401	PINION BEARING(B) SP WASHER
70	G52-3401	PINION BEARING(B)
71	J92-1301	PINION BEARING(B) COLLAR
72	J91-9605	BODY
73	J89-4602	OSCILLATING POST
74-76	J92-0701	MAIN SHAFT
75	M06-7801	OSCILLATING POST COLLAR SCREW
76	J89-4401	OSCILLATING POST COLLAR
77	J92-1101	REAR CAP PACKING
78	J92-1201	REAR CAP
79	J89-4901	REAR CAP SCREW(A)
80	J89-5002	REAR CAP SCREW(B)
81	J92-0101	OSCILLATING GEAR WASHER
82	J92-0201	OSCILLATING GEAR
83	J03-7601	OSCILLATING GEAR"O"-RING
84	373-7808	OSCILLATING GEAR BEARING WASHER
86	H34-7101	OSCILLATING GEAR SCREW
87	H24-3301	STOPPER COLAAR
88	M03-0401	STOPPER
89	351-6401	STOPPER SCREW
90	J92-2001	STOPPER SPRING
91	G33-9401	IDLE GEAR"O"RING (A)
92	J30-8501	IDLE GEAR"O"RING (B)
93	J92-0301	IDLE GEAR
94	G33-6701	IDLE GEAR"O"RING (C)
96	B85-3101	DRIVE BEARING(A) COVER PIN"O"RING
97	J90-2801	DRIVE BEARING(A) COVER PIN
98	J04-8601	DRIVE BEARING(A)"O"RING
99	J04-8702	DRIVE BEARING(A)
100	J92-0401	DRIVE BEARING(A)WASHER
101	J92-0601	DRIVE BEARING(A) COVER"O"RING
102	J92-0501	DRIVE BEARING(A) COVER
103	J92-3802	HANDLE CAP
105	H50-2203	DRIVE BEARING(B)WASHER
108	J92-2203	ENGINEPLATE
109	M03-3201	HANDLE
110	H68-7201	CLUTCH RING WASHER
111	M05-0901	HOLDER SCREW WASHER
113	E27-2501	WASHER

### SALTIGAG20000H Special Parts

Key No	Part No	Description
2~13	J92-2601	SPOOL ASSY
72	J91-9604	BODY