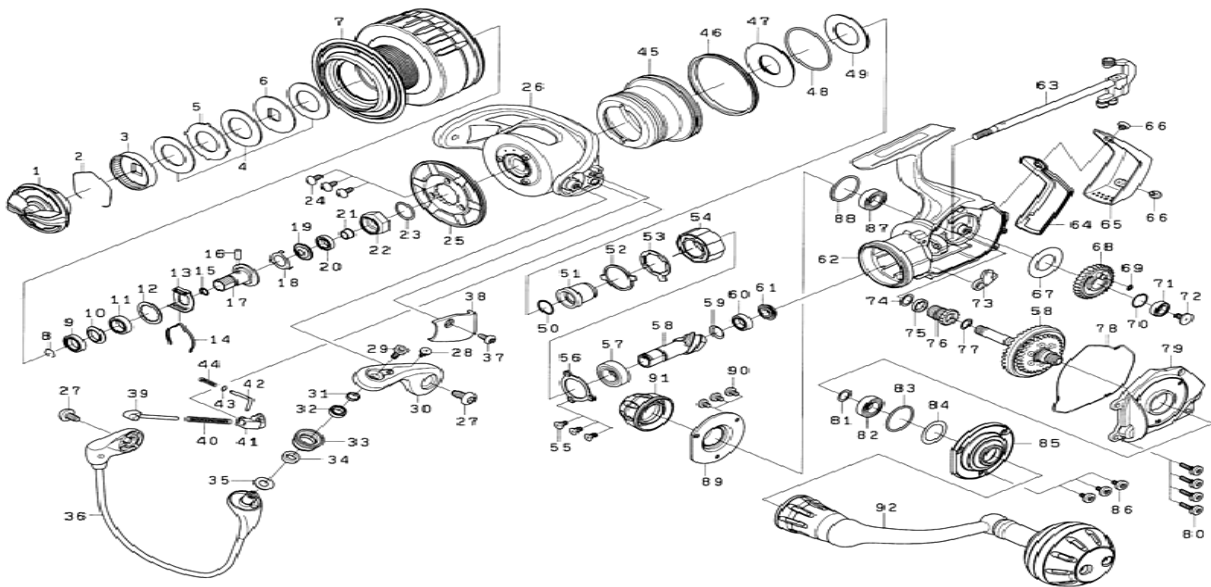


DAWA

SPINNING REEL

Please order by parts number, not key number
 Veuillez indiquer le numéro de la pièce (Non "Key" No.)

SALTIGA4000H



| Key No. | Part No. | Part Name | Key No. | Part No. | Part Name |
|---------|----------|--------------------------|---------|----------|------------------------|
| 1 | J18-7802 | DRAG KNOB | 47 | H61-9301 | MAGNET |
| 2 | F71-0001 | WASHER RET | 48 | H45-2801 | O-RING |
| 3 | F89-5305 | DRAG KNOB CLICK PLT | 49 | H61-9201 | WASHER |
| 4 | H24-7202 | DRAG WASHER | 50 | H62-0101 | O-RING |
| 5 | G16-5903 | EARED WASHER | 51 | H61-9101 | CLUTCH RING |
| 6 | F64-4702 | KEY WASHER | 52 | H69-0201 | CLUTCH CAM RET |
| 2-7 | J18-8401 | SPOOL ASSEMBLY | 53 | H62-4501 | CLUTCH CAM |
| 8 | G52-5101 | BEARING RET | 54 | G31-4501 | ROLLER CUTCH |
| 9 | F58-2501 | BALL BEARING | 55 | E13-4508 | SCREW |
| 10 | H62-2001 | O-RING | 56 | G52-2901 | BEARING RET |
| 11 | G43-1004 | BALL BEARING | 57 | G52-2802 | BALL BEARING |
| 12 | G90-3900 | WASHER | 58 | Z02-2181 | PINION+DRIVE GEAR UNIT |
| 13 | G69-4001 | CLICK LEAF SPRING HOLDER | 59 | G57-8502 | SPRING WASHER |
| 14 | H73-7101 | LEAF SPRING | 60 | G52-2702 | BALL BEARING |
| 15 | H62-1801 | O-RING | 61 | H61-8001 | COLLAR |
| 16 | F64-3601 | PIN | 62 | J18-5304 | BODY |
| 17 | H62-1701 | SPOOL METAL | 63 | J18-5901 | MAIN SHAFT |
| 18 | G52-4801 | BEARING RET | 64 | H61-9901 | PACKING |
| 19 | H62-1501 | PACKING | 65 | H62-0002 | REAR COVER |
| 20 | G21-2502 | BALL BEARING | 66 | G94-6802 | SCREW |
| 21 | H62-1301 | COLLAR | 67 | H61-7301 | WASHER |
| 22 | H62-1401 | NUT | 68 | H61-7401 | OSC GEAR |
| 23 | G16-2401 | O-RING | 69 | B85-3101 | O-RING |
| 24 | H41-7701 | SCREW | 70 | G52-2100 | WASHER |
| 25 | H62-1601 | COLLAR | 71 | G46-7102 | BALL BEARING |
| 26 | H62-0202 | ROTOR | 72 | H27-2202 | SCREW |
| 27 | H50-3701 | SCREW | 73 | H61-8601 | A/R CLAW |
| 28 | H63-8401 | LOCK SCREW | 74 | J18-5801 | O-RING |
| 29 | H50-4701 | SCREW | 75 | H61-7601 | RING |
| 30 | H62-0603 | ARM LEVER | 76 | J18-5601 | IDLE GEAR |
| 31 | J19-2901 | COLLAR | 77 | J18-5701 | O-RING |
| 32 | J01-9302 | BALL BEARING | 78 | H61-8901 | PACKING |
| 33 | J18-6601 | LINE ROLLER | 79 | H61-8805 | BODY COVER |
| 34 | J18-6501 | BEARING | 80 | H43-1001 | SCREW |
| 35 | E09-6500 | WASHER | 81 | J18-5801 | O-RING |
| 36 | H62-0801 | BAIL | 82 | J04-0001 | BALL BEARING |
| 37 | H50-3901 | SCREW | 83 | J18-5401 | O-RING |
| 38 | H62-0701 | COVER | 84 | G52-9500 | WASHER |
| 39 | G01-7503 | BAIL SPRING SHAFT | 85 | J18-6303 | BALL BEARING RET (A) |
| 40 | H73-6301 | SPRING | 86 | H40-1101 | SCREW |
| 41 | H62-0501 | BAIL SPRING HOLDER | 87 | J04-0001 | BALL BEARING |
| 42 | H62-0301 | SHAFT | 88 | J18-5401 | O-RING |
| 43 | G68-5401 | WASHER | 89 | J18-5503 | BALL BEARING RET (B) |
| 44 | H62-0401 | SPRING | 90 | H40-1101 | SCREW |
| 45 | H61-9702 | INFINITE COVER | 91 | J18-7301 | HANDLE CAP |
| 46 | H61-9801 | RING | 92 | J18-6701 | HANDLE ASSEMBLY |