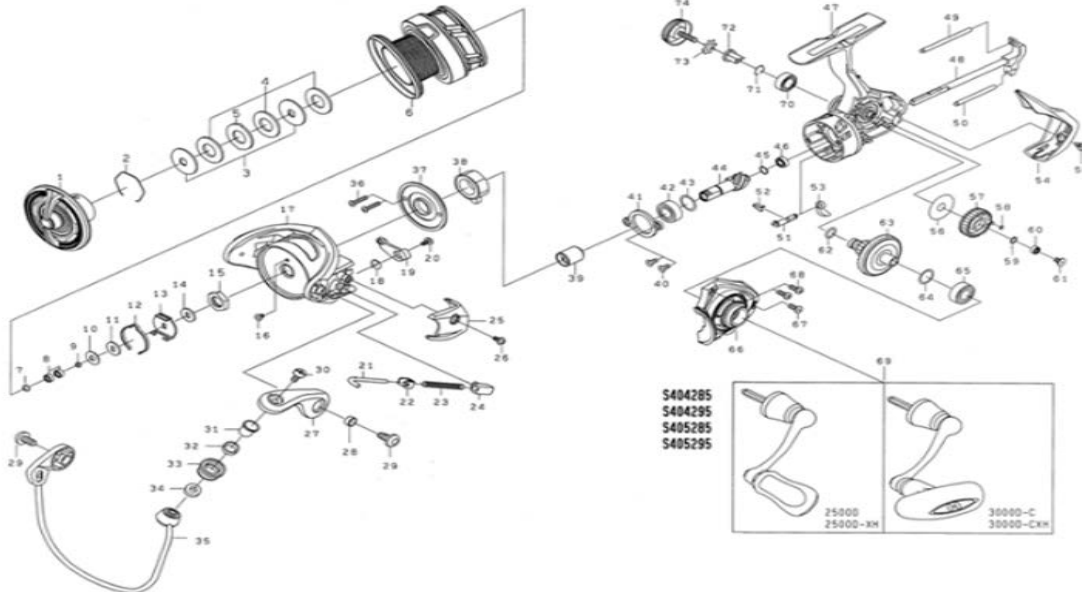


DAIWA SPINNING REEL

RGLT2500D/D-XH/3000D-C/D-CXH

*Please order by parts number, not key number.



Key No	Part No	Description
1	Q42-4401	DRAG KNOB
2	Q34-6101	DRAG RING
3	J54-7001	DRAG DISK WASHER
4	J54-6801	DRAG WASHER
5	Q34-6001	DRAG LIP WASHER
6	Q42-4201	SPOOL ASSY (2-6)
7	Q38-2701	SPOOL BEARING (A)
8	E33-2501	SPOOL BALL BEARING
9	B41-1706	SPOOL WASHER (B)
10	E39-8003	SPOOL WASHER (C)
11	Q34-8502	SPOOL WASHER (D)
12	H12-5301	CLICK LEAF SPRING
13	M02-1401	CLICK HOLDER
14	Q34-4001	CLICK HOLDER WASHER
15	Q12-2401	ROTOR NUT
16	H02-2701	ROTOR NUT SCREW
17	Q34-3004	ROTOR
18	H41-3601	KICK LEVER SPRING
19	Q34-3101	KICK LEVER
20	H41-7701	KICK LEVER SCREW
21	Q34-3301	ARMLEVER SHAFT
22	H57-6101	ARMLEVER SHAFT PLATE
23	J64-2801	ARMLEVER SPRING
24	Q12-1501	ARMLEVER SPRING HOLDER
25	Q34-3502	ARMLEVER SPRING COVER
26	Q34-2901	ARMLEVER SPRING COVER SCREW
27	Q12-1609	ARMLEVER
28	Q12-1701	ARMLEVER SCREW COLLER
29	Q34-3401	ARMLEVER SCREW
30	G19-5602	ROLLER SCREW
31	G19-5501	ROLLER COLLAR (A)
32	G22-0701	ROLLER COLLAR (B)
33	J08-9901	LINE ROLLER
34	Q20-3401	ROLLER COLLAR (C)
35	Q42-3901	BAIL ASSY
36	G83-7101	SEALED PLATE SCREW
37	Q13-9401	SEALED PLATE
38	Q30-8301	ONEWAY CLUTCH
39	J00-1401	CLUTCH RING
40	Q12-6201	PINION BEARING PLATE SCREW
41	Q19-5601	PINION BEARING PLATE
42	G46-7302	PINION BALL BEARING(A)
43	375-8502	PINION BALL BEARING(A) WASHER
44	Q34-1701	PINION GEAR
45	H93-1701	PINION BALL BEARING(B) SPRING WASHER
46	H95-9601	PINION BALL BEARING(B)
47	Q42-3501	BODY
48	Q42-3701	MAIN SHAFT
49	Q12-6301	OSCILLATING POST(A)
50	Q11-9101	OSCILLATING POST(B)
51	Q11-8101	STOPPER CAM
52	H69-7801	STOPPER LEVER SPRING

Key No	Part No	Description
53	Q11-8001	STOPPER LEVER
54	Q34-2802	REAR COVER
56	H59-5701	OSCILLATING GEAR WASHER
57	Q13-9001	OSCILLATING GEAR
58	H77-0601	OSCILLATING GEAR O-RING
59	H12-9201	OSCILLATING GEAR BEARING WASHER
60	G46-9005	OSCILLATING GEAR BALL BEARING
61	Q12-6101	OSCILLATING GEAR SCREW
62	G67-0501	DRIVE GEAR O-RING
63	Q34-1901	DRIVE GEAR
66	Q42-3801	BODY COVER
67	Q34-2701	BODY COVER SCREW
68	Q34-2601	BODY COVER SCREW
69	Q42-4501	HANDLE ASSY
70	G52-2706	DRIVE BALL BEARING(B)
71	G47-2401	DRIVE BEARING RETAINER
72	F72-1001	HANDLE COLLAR
73	160-8401	HANDLE SCRERW AWWSHER
74	Q13-2402	HANDLE SCRERW
200	B41-1703	HANDLE KNOB WASHER
202	Q34-4801	HANDLE KNOB
204	B67-9308	HANDLE KNOB SCREW
205	Q34-5002	HANDLE KNOB CAP

RGLT2500D-XH Special Parts

Key No	Part No	Description
6	Q42-4601	SPOOL ASSY (2-6)
44	Q36-0301	PINION GEAR
63	Q36-0501	DRIVE GEAR

RGLT3000D-C Special Parts

Key No	Part No	Description
6	Q42-7001	SPOOL ASSY (2-6)
17	Q12-0516	ROTOR
19	Q12-0701	KICK LEVER
21	Q12-1201	ARMLEVER SHAFT
23	H54-5701	ARMLEVER SPRING
25	Q12-1802	ARMLEVER SPRING COVER
35	Q51-8601	BAIL ASSY
37	Q12-0101	SEALED PLATE
38	J38-8401	ONEWAY CLUTCH
39	J00-1403	CLUTCH RING
47	Q42-6901	BODY
48	Q46-1501	MAIN SHAFT
57	Q11-8401	OSCILLATING GEAR
69	Q42-7201	HANDLE ASSY
202	Q36-1701	HANDLE KNOB
205	Q36-1902	HANDLE KNOB CAP

RGLT3000D-CXH Special Parts

Key No	Part No	Description
6	Q42-7301	SPOOL ASSY (2-6)