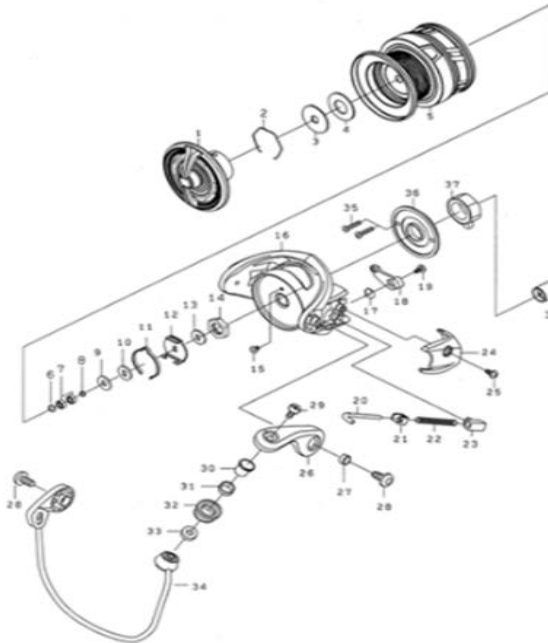


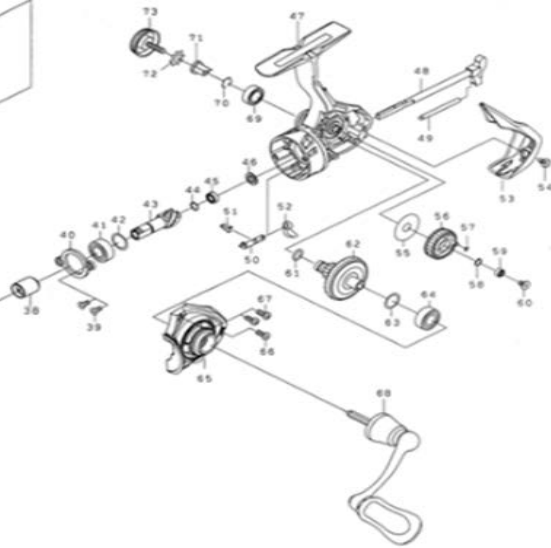
DAIWA SPINNING REEL



Key No	Part No	Description
1	Q42-8101	DRAG KNOB
2	Q34-6101	DRAG RING
3	J54-7001	DRAG DISK WASHER
4	J54-6801	DRAG WASHER
5	Q42-7901	SPOOL ASSY (2-5)
6	Q38-2701	SPOOL WASHER (A)
7	E33-2501	SPOOL BALL BEARING
8	B41-1706	SPOOL WASHER (B)
9	Q34-8502	SPOOL WASHER (C)
10	E39-8003	SPOOL WASHER (D)
11	H12-5301	CLICK LEAF SPRING
12	M02-1401	CLICK HOLDER
13	Q34-4001	CLICK HOLDER WASHER
14	Q12-2401	ROTOR NUT
15	H02-2701	ROTOR NUT SCREW
16	Q13-9517	ROTOR
17	H44-3301	KICK LEVER SPRING
18	Q13-9601	KICK LEVER
19	H41-7701	KICK LEVER SCREW
20	Q13-9801	ARMLEVER SHAFT
21	H57-6101	ARMLEVER SHAFT PLATE
22	H44-2401	ARMLEVER SPRING
23	Q12-1501	ARMLEVER SPRING HOLDER
24	Q14-6502	ARMLEVER SPRING COVER
25	Q34-2901	ARMLEVER SPRING COVER SCREW
26	Q12-1609	ARMLEVER
27	Q12-1701	ARMLEVER SCREW COLLAR
28	Q34-3401	ARMLEVER SCREW
29	G19-5602	ROLLER SCREW
30	G19-5501	ROLLER COLLAR (A)
31	G22-0701	ROLLER COLLAR (B)
32	J08-9901	LINE ROLLER
33	Q20-3401	ROLLER COLLAR (C)
34	Q18-5201	BAIL ASSY
35	G83-7101	SEALED PLATE SCREW
36	Q13-9401	SEALED PLATE
37	Q30-8301	ONEWAY CLUTCH
38	J00-1401	CLUTCH RING
39	Q12-6201	PINION BEARING PLATE SCREW
40	Q19-5601	PINION BEARING PLATE

RGLT1000D/2000D

*Please order by parts number, not key number.



Key No	Part No	Description
41	G46-7302	PINION BALL BEARING(A)
42	375-8502	PINION BALL BEARING(A) WASHER
43	Q37-5701	PINION GEAR
44	H93-1701	PINION BALL BEARING(B) SPRING WASHER
45	H95-9601	PINION BALL BEARING(B)
46	J38-7701	PINION COLLAR
47	Q42-7501	BODY
48	Q42-7701	MAIN SHAFT
49	Q11-9104	OSCILLATING POST(A)
50	Q11-8101	STOPPER CAM
51	H69-7801	STOPPER LEVER SPRING
52	Q11-8001	STOPPER LEVER
53	Q37-6202	REAR COVER
55	H60-7902	OSCILLATING GEAR WASHER
56	Q37-5201	OSCILLATING GEAR
57	H77-0601	OSCILLATING GEAR O-RING
58	H12-9201	OSCILLATING GEAR BEARING WASHER
59	637-2102	OSCILLATING GEAR BALL BEARING
60	Q12-6101	OSCILLATING GEAR SCREW
61	G67-0501	DRIVE GEAR O-RING
62	Q37-5901	DRIVE GEAR
65	Q42-7801	BODY COVER
66	Q34-2701	BODY COVER SCREW
67	Q34-2601	BODY COVER SCREW
68	Q42-8501	HANDLE ASSY
69	G52-2706	DRIVE BALL BEARING(B)
70	G47-2401	DRIVE BEARING RETAINER
71	F72-1001	HANDLE COLLAR
72	160-8401	HANDLE SCREW WASHER
73	Q13-2402	HANDLE SCREW
200	Q34-4801	HANDLE KNOB
201	637-2102	HANDLE KNOB BALL BEARING
202	B41-1703	HANDLE KNOB WASHER
203	B67-9308	HANDLE KNOB SCREW
204	Q34-5002	HANDLE KNOB CAP

RGLT2000D Special Parts

Key No	Part No	Description
5	Q42-8201	SPOOL ASSY (2-5)