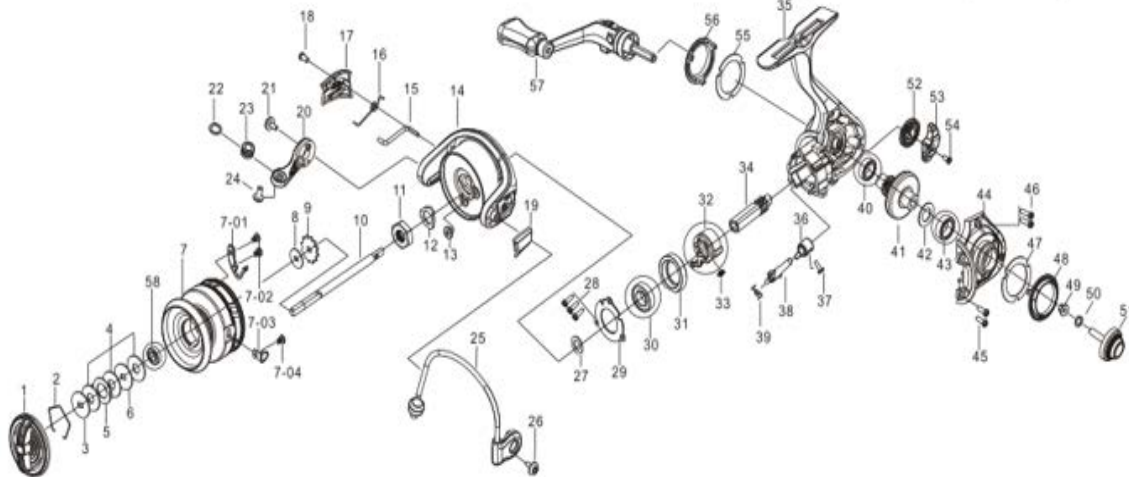




SPINNING REEL

QR750

*Please order by parts number, not key number.



Key No.	Part No	Description	Key No.	Part No	Description
1	VI600MDA500-ZHP	Front drag Assy	29	VP105HT500-1	Bearing Plate
2	VS405HT500-1	Spring	30	VB070140035-2	Ball bearing
3	VP612HT500-1	Stainless Washer	31	VI703VDC500-11	Bearing Holder
4	VP610FV500-11	Drag Washer	32	VB02002-52	One-Way Bearing
5	VP611FV500-2	Winged Drag Washer	33	VS820TF10-12	Spring
6	VP612HT500-1	Stainless Washer	34	VC702VDC500-1B	Pinion
7	VD400MDA500-ZHP	Spool	35	VI100MDA500-1	Main Body(front)
7-01	VI406AA30-1	Line clip clicker	36	VI800CE30-1	Anti-reverse Swtich
7-02	VTPJ4-3-2-2-41	Line clip screw	37	VTYJ4-5-1-6-41	Screw
7-03	VI402TT50-1	Plastic line clip	38	VD800AF10-1	Anti-reverse Lever
7-04	VTPJ4-2-5-2-41	Line clip screw	39	VS801AF10-11	Torsion Spring
8	VP722FA30-11	Retaining Washer	40	VB070110030-2	Ball bearing
9	VP719FA30-21	Clicker Gear	41	VD700MDA500-1C	Main Gear
10	VC718VDC500-1S	Main Shaft(front)	42	VPW8-1-10-1-0-3-1S	Screw
11	VC318TF30-1F	Hexnut	43	VB080120035-2	Ball bearing
12	VP319HT500-11S	Rotor Retainer Plate	44	VI200MDA500-1	Body Cover
13	VTPZ6-3-2-6-41	Screw	45	VTYZa3-5-6-2-41	Screw
14	VI300VDC500-1	Rotor	46	VTYZN3-5-7-7-2-41	Screw
15	VS305VDC500-1	Bail Lever	47	VP109MDA500-1	Body ring plate
16	VS302VDC500-1	Spring	48	VI109MDA500-1	body side cover
17	VI304VDC500-1	Bail Arm Lever Cover	49	VI515MQA50-1	Handle Cap Washer
18	VTYN3-6-4-5-2-2-41	Screw	50	VP902MQA50-1	Washer plate
19	VPW5-1-7-0-5-1S	Screw	51	VI513MDA500-41	Handle Screw cap
20	VI301VDC500-1	Bail Arm	52	VD705VDC500-1	Oscillating Gear
21	VTYZN6-2-5-5-2-1-41	Screw	53	VD708VDC500-1	Oscillating Slider
22	VPW5-1-7-0-5-1S	Screw	54	VTMJ3-5-3-8-2-41N	Screw
23	VC315VDC500-1	Line Roller	55	VP109MDA500-1	Body ring plate
24	VTYZN6-2-5-5-2-1-41	Screw	56	VI109MDA500-1	body side cover
25	VS313VDC500-ZHP	Bail Assy	57	VD500MDA500-ZHP	Handle Assy
26	VTYZN6-2-5-5-2-1-41	Screw	58	VB40070025-2	Ball bearing
27	VPW7-9-0-5-1F	Screw			
28	VTYZa3-5-7-7-2-41	Screw			