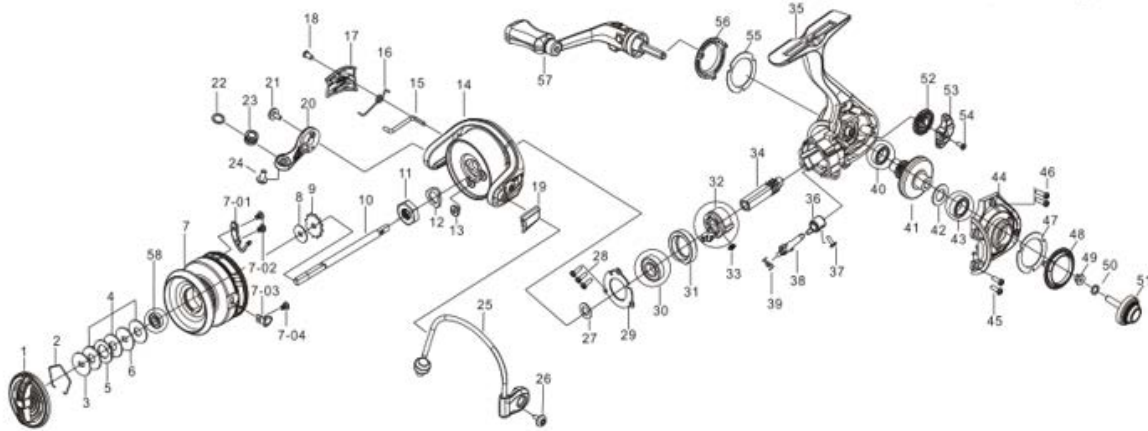


SPINNING REEL

QG750

*Please order by parts number, not key number.



Key No.	Part No	Description	Key No.	Part No	Description
1	VI600MDA500-ZHP	Front drag Assy	28	VTYZa3-5-7-7-2-41	Screw
2	VS405HT500-1	Spring	29	VP105HT500-1	Bearing Plate
3	VP612HT500-1	Stainless Washer	30	VB070140035-2	Ball bearing
4	VP610FV500-11	Drag Washer	31	VI703VDC500-11	Bearing Holder
5	VP611FV500-2	Winged Drag Washer	32	VB02002-52	One-Way Bearing
6	VP612HT500-1	Stainless Washer	33	VS820TF10-12	Spring
7	VD400MDA500-ZHP	Spool	34	VC702VDC500-1B	Pinion
7-01	VI406AA30-1	Line clip clicker	35	VI100MDA500-1	Main Body(front)
7-02	VTPJ4-3-2-2-41	Line clip screw	36	VI800CE30-1	Anti-reverse Switch
7-03	VI402TT50-1	Plastic line clip	37	VTYJ4-5-1-6-41	Screw
7-04	VTPJ4-2-5-2-41	Line clip screw	38	VD800AF10-1	Anti-reverse Lever
8	VP722FA30-11	Retaining Washer	39	VS801AF10-11	Torsion Spring
9	VP719FA30-21	Clicker Gear	40	VB070110030-2	Ball bearing
10	VC718VDC500-1S	Main Shaft(front)	41	VD700MDA500-1C	Main Gear
11	VC318TF30-1F	Hexnut	42	VPW8-1-10-1-0-3-1S	Screw
12	VP319HT500-11S	Rotor Retainer Plate	43	VB080120035-2	Ball bearing
13	VTPZ6-3-2-6-41	Screw	44	VI200MDA500-1	Body Cover
14	VI300VDC500-1	Rotor	45	VTYZa3-5-6-2-41	Screw
15	VS305VDC500-1	Bail Lever	46	VTYZN3-5-7-7-2-41	Screw
16	VS302VDC500-1	Spring	47	VP109MDA500-1	Body ring plate
17	VI304VDC500-1	Bail Arm Lever Cover	48	VI109MDA500-1	body side cover
18	VTYN3-6-4-5-2-2-41	Screw	49	VI515MQA50-1	Handle Cap Washer
19	VPW5-1-7-0-5-1S	Screw	50	VP902MQA50-1	Washer plate
20	VI301VDC500-1	Bail Arm	51	VI513MDA500-41	Handle Screw cap
21	VTYZN6-2-5-5-2-1-41	Screw	52	VD705VDC500-1	Oscillating Gear
22	VPW5-1-7-0-5-1S	Screw	53	VD708VDC500-1	Oscillating Slider
23	VC315VDC500-1	Line Roller	54	VTMJ3-5-3-8-2-41N	Screw
24	VTYZN6-2-5-5-2-1-41	Screw	55	VP109MDA500-1	Body ring plate
25	VS313VDC500-ZHP	Bail Assy	56	VI109MDA500-1	body side cover
26	VTYZN6-2-5-5-2-1-41	Screw	57	VD500MDA500-ZHP	Handle Assy
27	VPW7-9-0-5-1F	Screw	58	VB40070025-2	Ball bearing