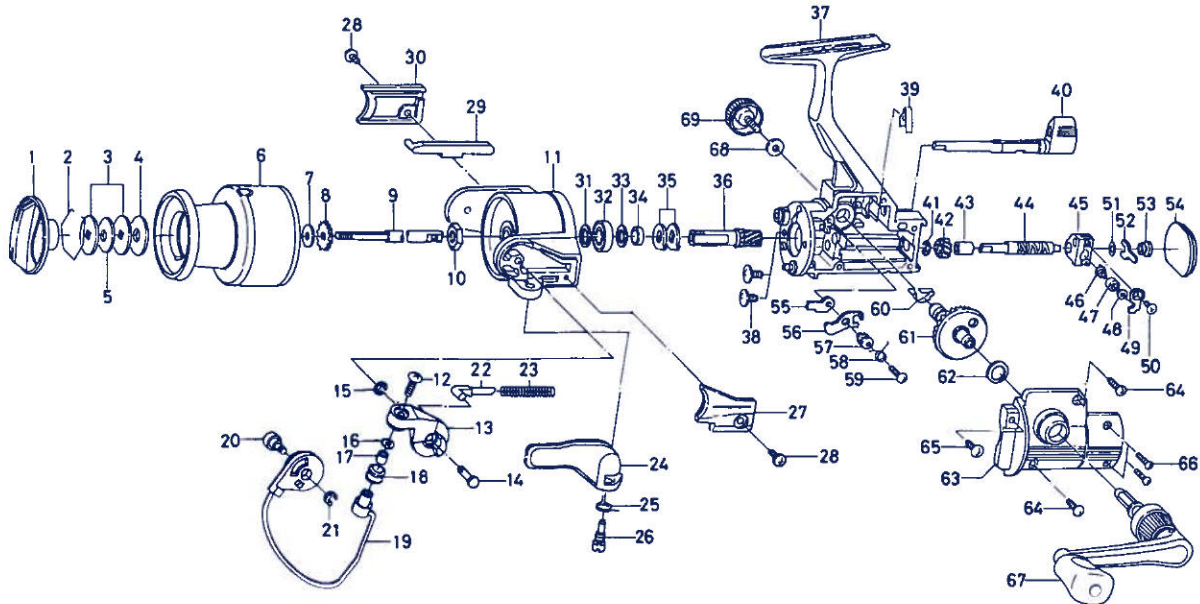


SPINNING REEL — PS705



Key No. 2-6

E41-5901 Spool assembly

Key

Key No.	Part No.	Part Name
1	E41-6301	Drag knob
2	171-7701	Drag washer retainer
3	E13-6103	Key washer
4	E13-6003	Drag washer
5	F05-0901	Drag spring washer
6	E41-6001	Spool assembly
7	E39-4001	Spool washer
8	E36-5301	Click gear
9	E37-2301	Main shaft
10	341-9201	Rotor nut
11	E37-3205	Rotor
12	B67-9304	Line roller screw
13	E37-3301	Bail arm
14	E37-3401	Bail arm screw
15	320-5901	Bail arm screw retainer
16	B55-4301	Line roller washer
17	B45-1501	Line roller collar
18	250-3921	Line roller
19	E38-8501	Bail
20	E38-3102	Bail trip cam screw
21	320-5901	Bail trip cam screw retainer
22	E36-8201	Bail spring shaft
23	E37-2401	Bail spring
24	E37-3601	Trigger lever
25	E36-9901	Trigger spring
26	E41-7801	Trigger screw
27	E37-3503	Bail spring cover
28	E36-4201	Bail spring cover screw
29	E36-8402	Bail trip lever
30	E36-8503	Bail trip cover
31	375-8503	Bearing washer A
32	634-1301	Ball bearing
33	375-8503	Bearig washer B
34	E29-6101	Spacing sleeve
35	E36-9401	Anti-reverse ratchet

Key

Key No.	Part No.	Part Name
36	E42-0001	Pinion gear
37	F05-0701	Body
38	E03-7801	Bearing retainer screw
39	E26-8701	Anti-reverse cam spring
40	E36-3207	Anti-reverse lever
41	B33-9801	Worm shaft gear retainer
42	E41-5801	Worm shaft gear
43	E29-6501	Worm shaft bush
44	E41-9901	Worm shaft
45	F01-1003	Oscillating slider
46	E12-2403	Oscillating pawl
47	E12-4601	Oscillating pawl bush
48	375-0800	Oscillating pawl washer
49	E11-6801	Oscillating slider cover
50	E15-0203	Oscillating slider cover screw
51	B53-6101	Worm shaft washer
52	E29-6701	Worm shaft retainer
53	E29-6601	Worm shaft collar
54	F01-9808	Rear cover
55	B95-9301	Anti-reverse pawl plate
56	E27-1301	Anti-reverse pawl
57	B95-9501	Anti-reverse pawl collar
58	B95-9602	Anti-reverse pawl spring A
59	B00-8601	Anti-reverse pawl screw
60	E29-6902	Anti-reverse pawl spring B
61	E42-0101	Drive gear
62	375-8502	Drive gear washer
63	F02-0002	Side cover
64	E15-8601	Side cover screw A
65	E13-0501	Side cover screw B
66	E11-9601	Side cover screw C
67	E41-7902	Handle assembly
68	F02-0201	Handle lock washer
69	F03-5601	Handle lock screw