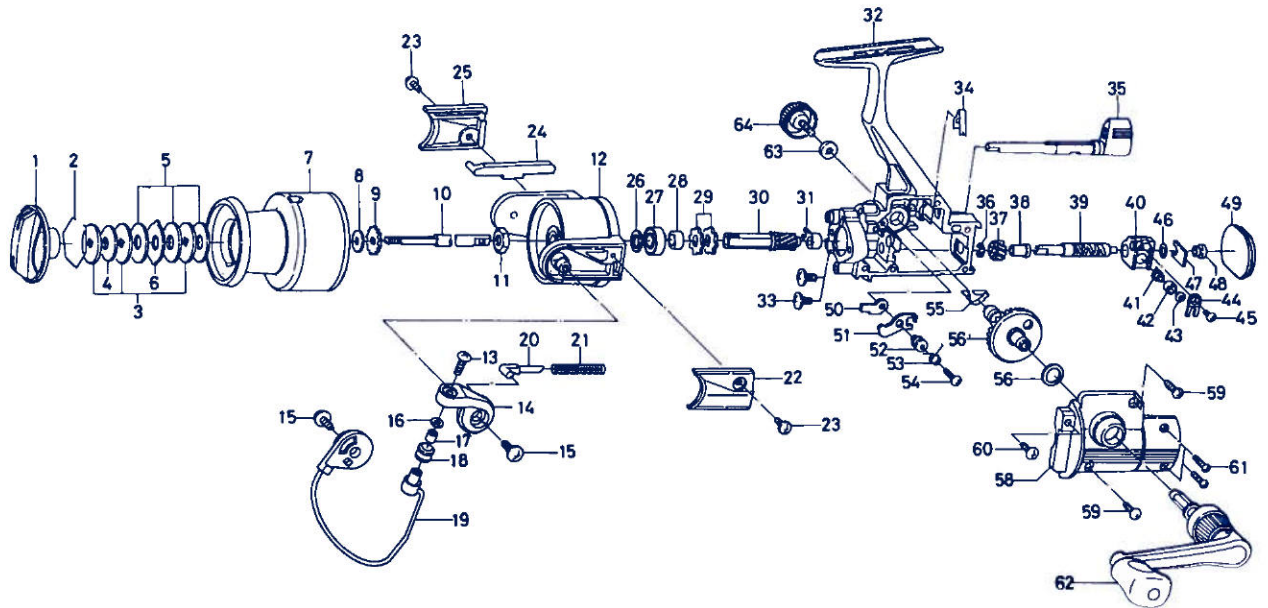


SPINNING REEL – PS1300



Key No. 2-7
E41-7201 Spool assembly

Key No.	Part No.	Part Name
1	F05-1001	Drag knob
2	171-7701	Drag washer retainer
3	E13-6103	Key washer
4	F05-0901	Drag spring washer
5	E13-6003	Drag washer
6	373-3601	Eared washer
7	E41-7301	Spool assembly
8	E39-4001	Spool washer
9	E36-5301	Click gear
10	E36-3901	Main shaft
11	341-9201	Rotor nut
12	E36-4303	Rotor
13	B67-9304	Line roller screw
14	F00-8501	Bail arm
15	E00-7101	Bail arm screw
16	B55-4301	Line roller washer
17	B45-1501	Line roller collar
18	250-3921	Line roller
19	E36-7601	Bail
20	E36-4401	Bail spring shaft
21	E39-0501	Bail spring
22	E36-4603	Bail spring cover
23	E36-4201	Bail spring cover screw
24	E36-5002	Bail trip lever
25	E36-5103	Bail trip cover
26	375-8503	Bearing washer
27	L03-6601	Ball bearing
28	E36-3601	Spacing sleeve
29	E27-1501	Anti-reverse ratchet
30	E41-7001	Pinion gear
31	E24-3301	Pinion collar
32	E41-6901	Body

Key No.	Part No.	Part Name
33	E03-7801	Bearing retainer screw
34	E26-8701	Anti-reverse cam spring
35	E36-3211	Anti-reverse lever
36	B33-9801	Worm shaft gear retainer
37	E41-7101	Worm shaft gear
38	E39-3501	Worm shaft bush
39	E27-1601	Worm shaft
40	F02-4301	Oscillating slider
41	E19-1202	Oscillating pawl
42	E19-1301	Oscillating pawl bush
43	375-0800	Oscillating pawl washer
44	E24-4901	Oscillating slider cover
45	E15-0203	Oscillating slider cover screw
46	375-4101	Worm shaft washer
47	E36-3801	Worm shaft retainer
48	E39-3601	Worm shaft collar
49	E36-7505	Rear cover
50	B95-9301	Anti-reverse pawl plate
51	E27-1301	Anti-reverse pawl
52	B95-9501	Anti-reverse pawl collar
53	B95-9602	Anti-reverse pawl spring A
54	B00-8601	Anti-reverse pawl screw
55	E24-5301	Anti-reverse pawl spring B
56	F00-7101	Drive gear
57	375-8501	Drive gear washer
58	E36-7302	Side cover
59	E15-8601	Side cover screw A
60	E15-8602	Side cover screw B
61	E11-9601	Side cover screw C
62	E41-7901	Handle assembly
63	F02-0201	Handle lock washer
64	F03-5601	Handle lock screw