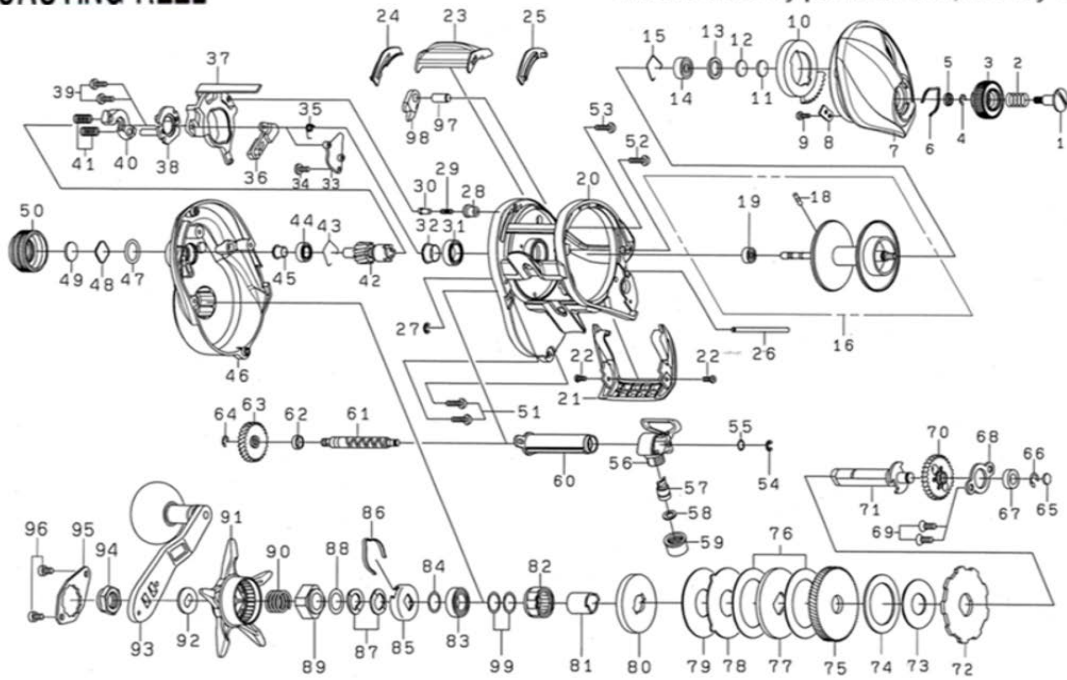


DAWA BAITCASTING REEL

PRX400PL-P_HL-P_XHL-P

*Please order by parts number, not key number.



Key No	Part No	Description
1	J71-6301	BRAKE DIAL SCREW
2	E16-7101	BRAKE DIAL SPRING
3	J93-5802	BRAKE DIAL
4	B33-9801	BRAKE DIAL RETAINER
5	F63-7701	BRAKE DIAL COLLAR
6	J93-5901	BRAKE DIAL CLICK LEAF SPRING
7	J99-0902	RIGHT SIDE PLATE
8	J94-6901	SIDE PLATE PLATE
9	G93-9301	SIDE PLATE PLATE SCREW
10	J97-4501	MAGNET HOLDER
11	375-7406	RS SPOOL ADJUST WASHER (A)
12	375-7411	RS SPOOL ADJUST WASHER (B)
13	G18-5101	RS SPOOL ADJUST WASHER (C)
14	G51-1501	RS BALL BEARING
15	F03-2201	RS BALL BEARING RETAINER
16	M05-0101	SPOOL ASSY
18	G71-7501	SPOOL HOLDER PIN
19	G49-8513	SPOOL BALL BEARING
20	M06-1701	FRAME
21	M04-9901	FRONT COVER
22	H53-1511	FRONT COVER SCREW
23	M04-9501	CLUTCH LEVER
24	J93-2501	CLUTCH LEVER PLATE (L)
25	J93-2601	CLUTCH LEVER PLATE (R)
26	M05-0001	STABILIZER BAR
27	H70-4101	STABILIZER BAR RETAINER
28	H91-0601	CLUTCH CAM COLLAR
29	H92-8801	CLUTCH CAM PIN SPRING
30	J05-5201	CLUTCH CAM PIN
31	G15-6805	PINION BALL BEARING (A)
32	J94-6501	PINION BALL BEARING (A) COLLAR
33	J99-0201	CLUTCH TRIP LEVER PLATE (A)
34	H29-4101	CLUTCH TRIP LEVER PLATE (A) SCREW
35	H47-3301	CLUTCH TRIP LEVER PLATE SPRING
36	J99-0301	CLUTCH TRIP LEVER
37	M06-1901	CLUTCH CAM
38	J93-2901	CLUTCH CAM PLATE (A)
39	B03-2904	CLUTCH CAM PLATE SPRING
40	M10-6001	YOKE
41	J97-7701	YOKE SPRING
42	M27-2701	PINION GEAR
43	H16-0801	PINION BALL BEARING RETAINER
44	G46-7102	PINION BALL BEARING (B)
45	J95-3001	PINION BALL BEARING (B) COLLAR
46	J98-9509	LEFT SIDE PLATE
47	B05-5201	ZERO ADJUSTER KNOB O RING
48	J69-2001	ZERO ADJUSTER WASHER (A)
49	B17-5503	ZERO ADJUSTER WASHER (B)
50	J93-2302	ZERO ADJUSTER KNOB
51	G04-0830	LEFT SIDE PLATE SCREW (A)
52	G94-5819	LEFT SIDE PLATE SCREW (B)
53	G04-0832	LEFT SIDE PLATE SCREW (C)
54	320-5901	WORM SHAFT RETAINER
55	B41-1703	WORM SHAFT WASHER
56	J97-3801	LEVELWIND
57	121-4212	PAWL
58	373-1303	PAWL WASHER

Key No	Part No	Description
59	F40-2801	LEVELWIND NUT
60	M06-2101	WORM SHIELD
61	M04-9701	WORM SHAFT
62	G72-0001	WORM SHAFT BUSHING
63	J93-4201	WORM GEAR
65	G09-9801	DRIVE SHAFT WASHER
66	320-8002	DRIVE SHAFT RETAINER
67	J93-3401	DRIVE SHAFT BUSHING
68	M04-0001	DRIVE SHAFT PLATE
69	G80-3505	DRIVE SHAFT PLATE SCREW
70	J93-3501	DRIVE SHAFT GEAR
71	J93-3302	DRIVE SHAFT
72	J93-4401	RATCHET
73	H66-1101	DRIVE GEAR WASHER (A)
74	H35-9001	DRIVE GEAR WASHER (B)
75	M12-4601	DRIVE GEAR
76	J93-4701	DRAG WASHER (A)
77	J93-4801	KEY WASHER (A)
78	J93-4901	EARED WASHER
79	J97-4301	DRAG WASHER (B)
80	J93-5001	KEY WASHER (B)
81	J37-7801	CLUTCH RING
82	G81-9801	ONEWAY CLUTCH
83	G43-1004	HANDLE BALL BEARING
84	B55-3801	HANDLE BEARING WASHER (A)
85	E70-9201	CLICK SPRING HOLDER
86	E71-5601	CLICK LEAF SPRING
87	150-8901	DRAG SPRING WASHER
88	H92-9501	STAR DRAG WASHER
89	J93-5102	STAR DRAG METAL
90	J01-1901	STAR DRAG SPRING
91	J97-5001	STAR DRAG
92	J10-1302	HANDLE PLATE
93	M05-0401	HANDLE ASSEMBLY
94	J09-0312	HANDLE NUT
95	H22-6709	HANDLE LOCK PLATE
96	H25-7003	HANDLE LOCK PLATE SCREW
97	J94-6701	ANTI REVERSE CLAW PIN
98	H27-0401	ANTI REVERSE CLAW
99	B55-3802	HANDLE BEARING WASHER (B)
200	M05-0501	HANDLE ARM
201	375-3005	HANDLE KNOB WASHER
202	H42-5505	HANDLE KNOB
203	G46-6202	HANDLE KNOB BALL BEARING
204	E45-4003	HANDLE KNOB SCREW (A)
205	M05-0801	HANDLE KNOB COLLAR
206	H77-5001	HANDLE KNOB SCREW (B) WITH O RING

PRX400HL-P Special Parts

42	M18-4301	PINION GEAR
46	J98-9504	LEFT SIDE PLATE
75	M12-4001	DRIVE GEAR

PRX400XHL-P Special Parts

42	M18-4501	PINION GEAR
46	J98-9510	LEFT SIDE PLATE
75	M12-4201	DRIVE GEAR