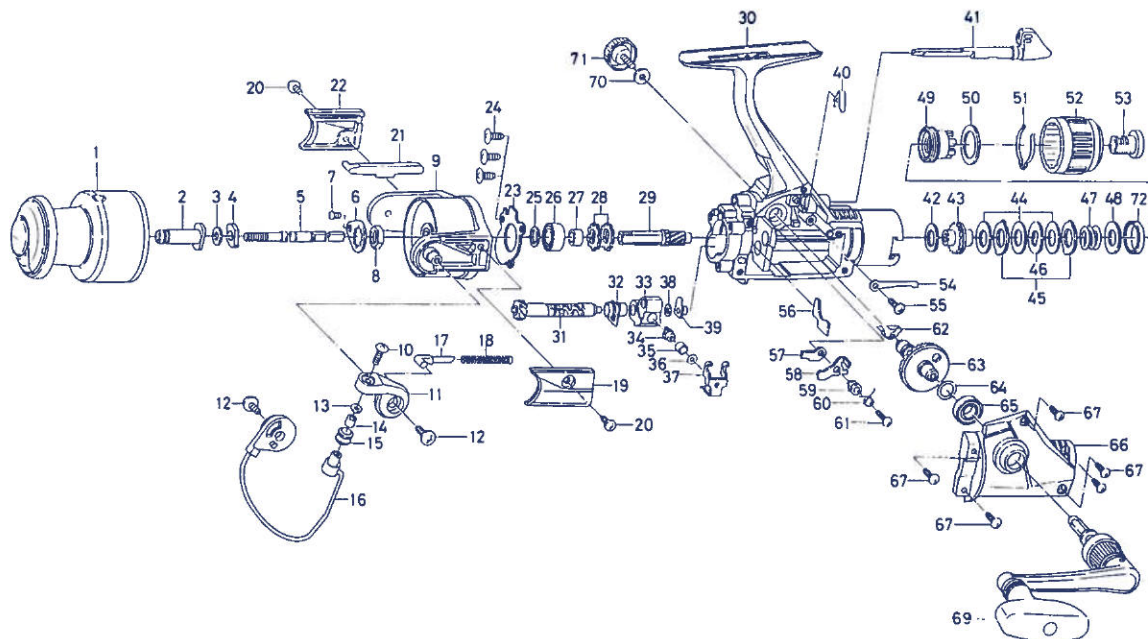


## SPINNING REEL — PM1650 / 2050



### Key

Key No.	Part No.	Part Name
1	F10-9302	Spool assembly
2	E48-4001	Spool metal
3	375-3002	Spool washer
4	E18-8801	Main shaft washer
5	E48-3001	Main shaft
6	B66-2601	Rotor nut holding plate
7	B93-3001	Rotor nut holding plate screw
8	B10-5701	Rotor nut
9	F01-1108	Rotor
10	B67-9304	Line roller screw
11	F00-8501	Bail arm
12	E00-7101	Bail arm screw
13	B55-4301	Line roller washer
14	B45-1501	Line roller bushing
15	250-3921	Line roller
16	F10-9101	Bail assembly
17	E36-4401	Bail spring shaft
18	E39-0601	Bail spring
19	E37-7902	Bail spring cover
20	E36-4202	Bail spring cover screw
21	F01-1602	Bail trip lever
22	E37-8206	Bail trip cover
23	E48-2901	Bearing retainer
24	E03-7801	Bearing retainer screw
25	371-2827	Bearing washer
26	B54-6001	Ball bearing A
27	F01-1401	Spacing sleeve
28	E37-6701	Anti-reverse ratchet
29	E48-4101	Pinion gear
30	F10-9402	Body assembly
31	F10-3601	Worm shaft
32	E48-2701	Worm shaft bush
33	F10-5101	Oscillating slider
34	E19-1202	Oscillating pawl
35	E19-1301	Oscillating pawl bush
36	375-0800	Oscillating pawl washer
37	F10-5201	Oscillating slider cover
38	B53-6100	Worm shaft washer
39	F05-6901	Worm shaft collar

### Key

Key No.	Part No.	Part Name
40	E26-8701	Anti-reverse cam spring
41	F05-9905	Anti-reverse lever
42	B46-9505	Drag washer A
43	E48-3201	Click gear
44	E14-3301	Drag washer B
45	B83-9501	Eared washer
46	E02-4401	Key washer
47	B98-2901	Drag coil spring
48	B27-0703	Drag screw washer A
49	E48-3301	Drag screw
50	F12-0601	Drag screw washer B
51	F13-6701	Drag washer spring
52	F10-3702	Drag knob
53	F05-7801	Drag knob screw
54	E48-3101	Click leaf spring
55	E36-4202	Click leaf spring screw
56	E48-2801	Shield plate
57	B96-5301	Anti-reverse pawl plate
58	E27-7002	Anti-reverse pawl
59	B96-5501	Anti-reverse pawl collar
60	B96-5601	Anti-reverse pawl spring A
61	B00-9701	Anti-reverse pawl screw
62	E37-7201	Anti-reverse pawl spring B
63	E41-8601	Drive gear
64	373-7803	Drive gear washer
65	631-6901	Ball bearing B
66	F10-9502	Side cover
67	E15-8602	Side cover screw
69	E41-8701	Handle assembly
70	F02-0201	Handle lock washer
71	F03-5601	Handle lock screw
72	F15-6501	Drag screw collar

### PM2050 Special Parts:

1	F11-8402	Spool assembly
9	F01-1805	Rotor
16	F11-8201	Bail assembly
18	E51-4401	Bail spring
30	F10-9403	Body assembly
66	F10-9503	Side cover