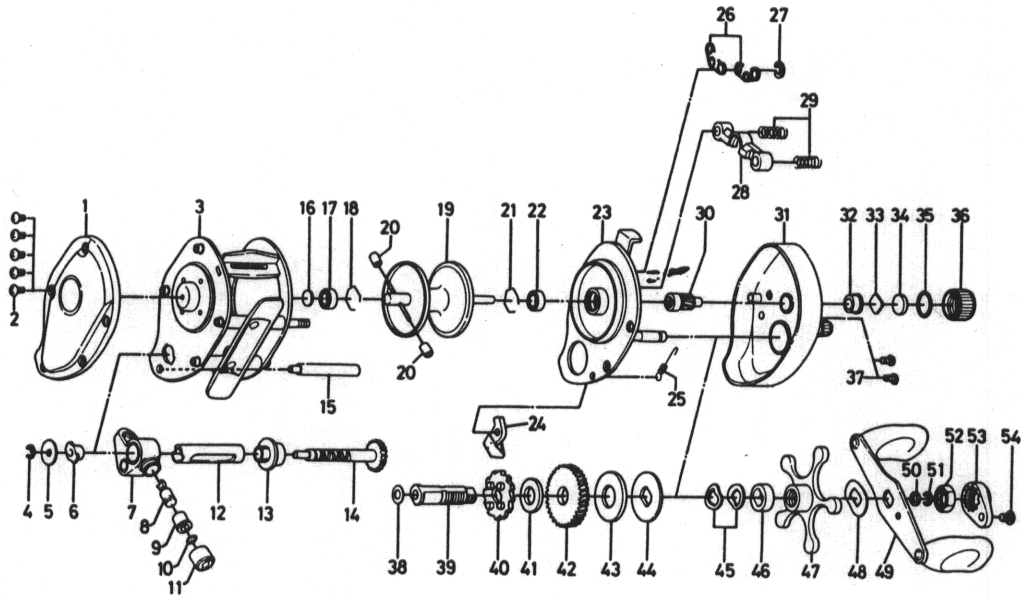
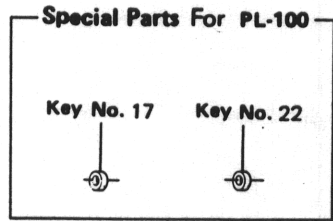


**BAITCASTING REEL
PROLITE 100 & 1000**



Key No.	Parts No.	Parts Name
1	B36-1301	Left side cover
2	B36-0401	Left side cover screw
3	B36-1501	Frame
4	320-5901	Worm shaft retainer
5	376-1801	Worm shaft holder washer
6	022-2201	Worm shaft holder
7	782-8801	Line guide
8	121-4211	Line guide pin
9	022-2901	Line guide pin holder
10	375-4100	Line guide washer
11	342-4801	Line guide nut
12	B36-2601	Worm shield
13	B36-1201	Shield bush
14	B36-3101	Worm shaft
15	B36-3401	Frame post
16	375-7405	Bearing metal washer
17	B35-8601	Ball bearing
18	B42-1601	Ball bearing retainer
19	B36-3501	Spool
20	B35-2901	Brake collar
21	B42-1601	Ball bearing retainer
22	B35-8601	Ball bearing
23	B35-7401	Set plate
24	B35-9401	Anti-reverse claw
25	B35-8901	Anti-reverse claw spring
26	B36-9101	Set plate spring
27	320-1402	Clutch ret. ring
28	B35-9001	Pinion yoke
29	144-7101	Pinion yoke spring
30	B35-9101	Pinion gear
31	B35-6601	Right side cover
32	B35-7201	Bushing
33	B17-5401	Ball bearing ret. washer

Key No.	Parts No.	Parts Name
34	B17-5501	Bearing metal washer
35	171-5201	"O" ring
36	B35-7301	Right spool cap
37	B36-0401	Right side cover screw
38	373-7611	Gear shaft washer A
39	B35-9601	Gear shaft
40	B35-9701	Ratchet
41	B36-0001	Gear shaft washer B
42	B36-0101	Drive gear
43	B36-0201	Drag washer A
44	B36-0301	Drag washer B
45	150-8901	Spring washer
46	634-5801	Bush
47	B36-0501	Star drag
48	150-9001	Handle washer
49	747-1701	Handle
50	B41-1701	Handle nut washer
51	320-8202	Handle nut retainer
52	B12-4701	Handle nut
53	B14-2501	Handle nut plate
54	351-1801	Handle nut plate screw
55	373-7805	Handle adjusting washer

PL-100 Special Parts

1	B36-1302	Left side cover
3	B41-3601	Frame
7	782-8803	Line guide
17	B41-3401	Bearing metal
19	B36-3502	Spool
22	B41-3401	Bearing metal
23	B41-3501	Set plate
31	B35-6605	Right side cover
47	B36-0502	Star drag
49	747-1704	Handle