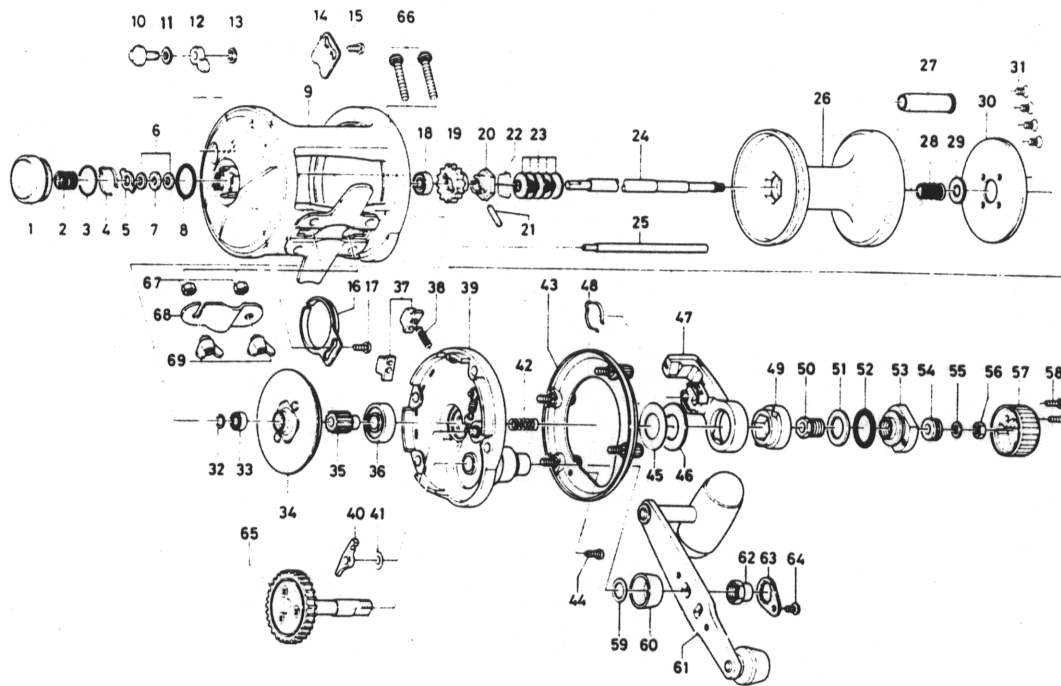


## SEALINE LEVER DRAG LD50H



Key No.	Parts No.	Parts Name	Key No.	Parts No.	Parts Name
1	E17-7001	Cast control cap	36	E17-5801	Ball bearing C
2	E17-6901	Spool adjusting spring	37	E17-3101	Strike stopper button
3	E16-0701	Cast control click spring retainer	38	E24-6901	Strike stopper button spring
4	E03-3201	Cast control click spring	39	E18-1901	Right side plate
5	E17-6801	Cast control eared washer	40	E12-0702	Anti-reverse pawl
6	376-0901	Cast control washer	41	371-6903	Anti-reverse pawl washer
7	E17-6701	Cast control key washer	42	B33-7601	Pinion tension spring
8	E18-2001	"O" ring A	43	E17-3401	Right side outer ring
9	E17-6401	Frame assembly	44	E15-7501	Right side outer ring screw
10	E17-6601	Click button	45	375-3514	Drag lever washer A
11	030-6222	Click pawl	46	375-6502	Drag lever washer B
12	373-1600	Click pawl washer	47	E17-4501	Drag lever
13	320-1402	Click pawl retainer	48	E03-3201	Drag lever click spring
14	E04-3601	Bearing retainer	49	E17-4801	Drag cam
15	B83-4402	Bearing retainer screw	50	E17-4901	Drag screw
16	160-7922	Click spring	51	375-7802	Drag nut washer
17	B83-4402	Click spring screw	52	E17-5101	"O" ring B
18	633-8811	Ball bearing A	53	E17-5001	Drag nut
19	E17-6301	Click gear	54	E17-5201	Thrust bearing
20	E18-1301	Pin holder	55	E23-4401	Main shaft washer
21	E20-7601	Main shaft pin	56	B01-6803	Main shaft nut
22	E23-4301	Spring washer retainer	57	E17-5301	Drag knob
23	E17-6201	Spring washer	58	351-1102	Drag knob screw
24	E17-4401	Main shaft assembly	59	373-7800	Drive shaft washer
25	E17-5701	Frame guard	60	E18-1001	Handle screw cover
26	E17-5901	Spool	61	E17-5501	Handle assembly
27	E21-9101	Spool metal	62	B86-2402	Handle nut
28	E23-6601	Spool metal spring	63	040-3201	Handle nut plate
29	B01-3801	Spool metal spring washer	64	351-1803	Handle nut plate screw
30	E18-1101	Drag washer	65	E21-7701	Drive gear
31	353-6201	Drag washer screw	66	353-9801	Clamp bolt
32	E09-6502	Bearing washer	67	341-9701	Rod brace nut
33	B35-8601	Ball bearing B	68	041-5601	Rod brace
34	E17-3901	Drag plate	69	342-2111	Clamp nut
35	E17-3801	Pinion gear			