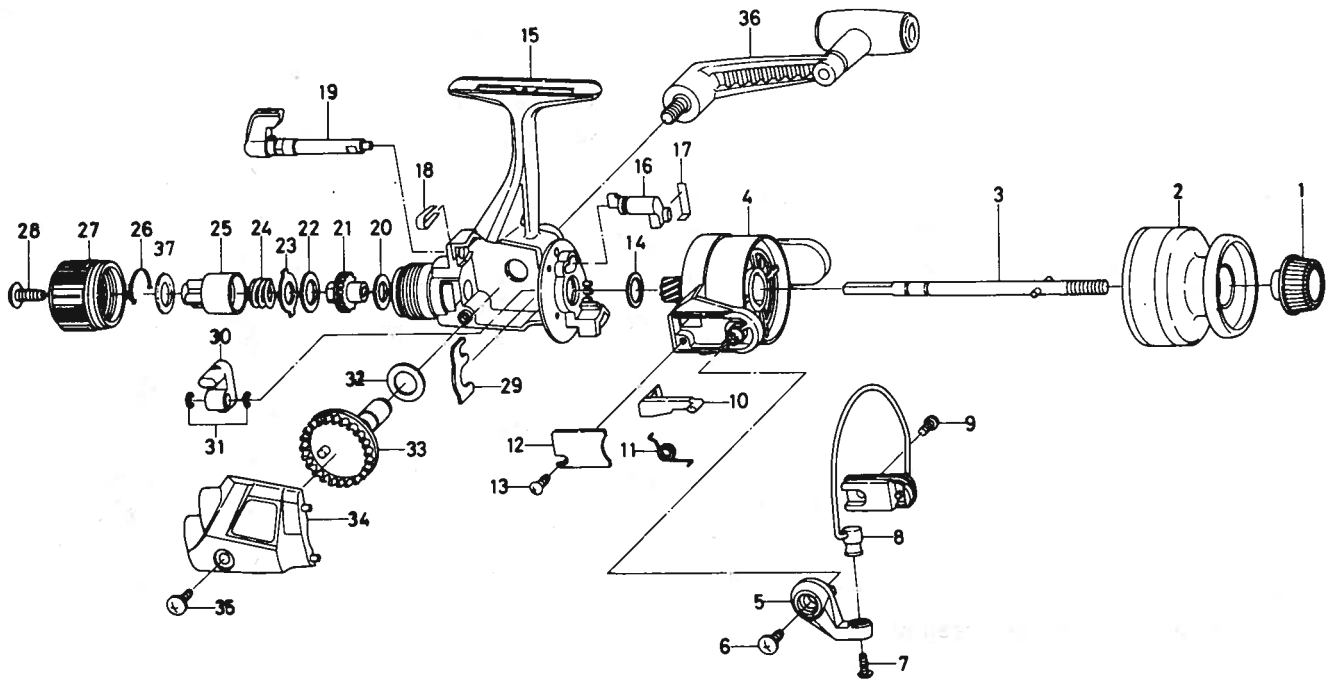


# SPINNING REEL — J1050X/1350X



**Key**  
**No.**    **Parts No.**    **Parts Name**

1	L07-7301	Spool cap
2	L07-7001	Spool
3	L07-6001	Main shaft
4	L07-4401	Rotor
5	L50-1301	Bail arm
6	L00-2602	Bail arm screw
7	B67-9301	Line roller screw
8	L07-5101	Bail
9	L01-1702	Bail trip cam screw
10	L07-4901	Bail trip lever
11	B91-6501	Bail spring
12	L07-5001	Bail spring cover
13	L01-1702	Bail spring cover screw
14	371-6400	Rotor washer
15	L07-3801	Body
16	L07-4201	Anti-reverse pawl
17	L08-5901	Anti-reverse pawl spring
18	L07-4101	Anti-reverse cam spring
19	L07-4001	Anti-reverse lever
20	B48-9902	Drag washer A
21	B74-7401	Click gear
22	B76-0502	Drag washer B

**Key**  
**No.**    **Parts No.**    **Parts Name**

23	B49-0102	Eared washer
24	B92-6703	Drag coil spring
25	L08-5501	Drag screw
26	L08-5601	Drag washer spring
27	L07-5701	Drag knob
28	E00-7601	Drag knob screw
29	L07-5301	Pinion retainer
30	L50-2201	Oscillating slider
31	320-8202	Oscillating slider retainer
32	370-7500	Drive gear washer
33	L07-5401	Drive gear
34	L07-6201	Side cover
35	E00-7101	Side cover screw
36	L07-6701	Handle
37	L11-0001	washer

**J1350X Special Parts**

2	L07-8301	Spool
4	L07-7601	Rotor
8	L07-7901	Bail
10	L07-7801	Bail trip lever
34	L07-6202	Side cover