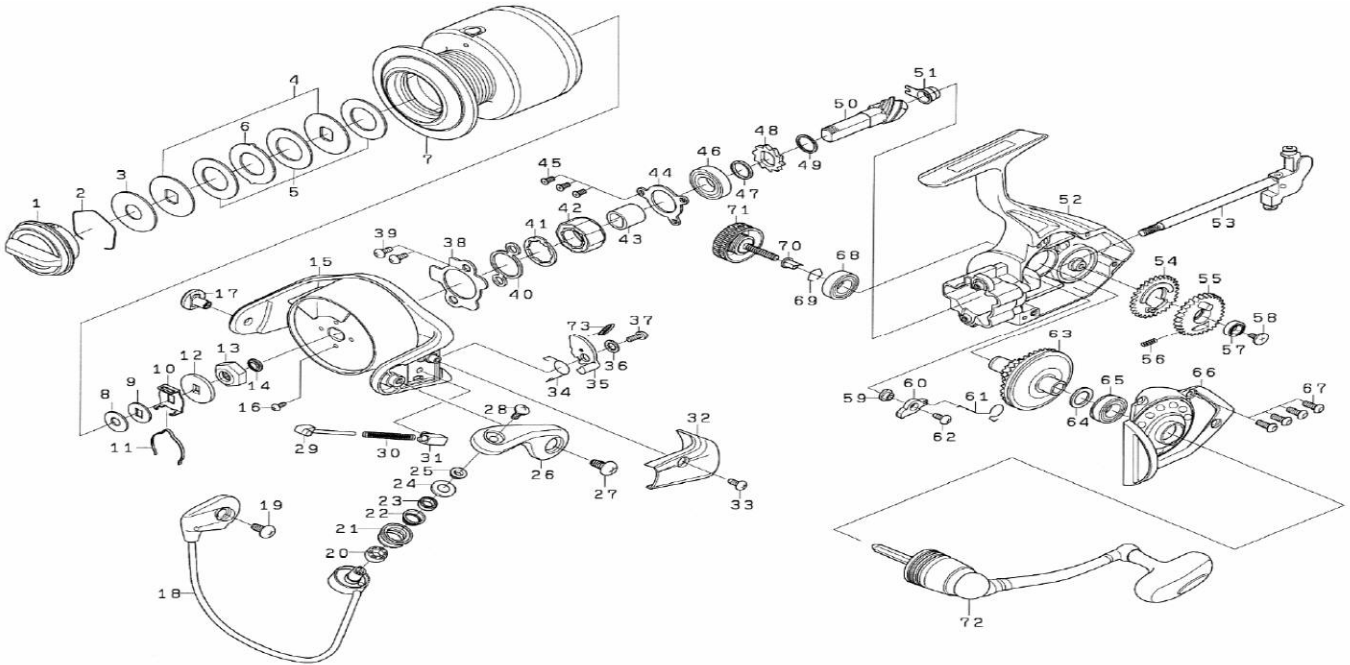


Please order by parts number, not key number  
Veuillez indiquer le numéro de la pièce (Non "Key" No.)

  
**Daiwa**  
COMMITTED TO TOTAL QUALITY  
SPINNING REEL

# EXCELER 4500T



**Key No. Parts No. Parts Name**

|    |          |                          |
|----|----------|--------------------------|
| 1  | H31-2701 | Drag knob                |
| 2  | F88-4001 | Drag washer retainer     |
| 3  | H38-0901 | Drag washer (A)          |
| 4  | H17-5101 | Key washer               |
| 5  | F69-1001 | Drag washer (B)          |
| 6  | G70-0701 | Eared washer             |
| 8  | F05-0100 | Spool washer (A)         |
| 9  | F05-0002 | Spool washer (B)         |
| 10 | H30-9501 | Click leaf spring holder |
| 11 | B74-7701 | Spool click leaf spring  |
| 12 | F04-9901 | Spool washer (C)         |
| 13 | H30-9401 | Rotor nut                |
| 14 | G75-1201 | Collar (A)               |
| 15 | H24-5001 | Rotor                    |
| 16 | G62-7701 | Screw (A)                |
| 17 | H24-5602 | Bail holder nut          |
| 18 | H37-5901 | Bail assembly            |
| 19 | 351-6105 | Screw (B)                |
| 20 | H03-5502 | Collar (B)               |
| 21 | H24-6103 | Line roller              |
| 22 | G74-0601 | Collar (C)               |
| 23 | G37-0905 | Ball bearing (A)         |
| 24 | G74-0501 | Packing                  |
| 25 | H27-1201 | Collar (D)               |
| 26 | H24-5401 | Bail arm                 |
| 27 | G45-5601 | Screw (C)                |
| 28 | F60-8901 | Screw (D)                |
| 29 | H24-5301 | Bail spring shaft        |
| 30 | H34-5301 | Bail spring              |
| 31 | H27-0501 | Bail spring holder       |
| 32 | H24-5502 | Bail spring cover        |
| 33 | G20-5101 | Screw (E)                |
| 34 | H26-4401 | Bail trip lever spring   |
| 35 | H24-5901 | Bail trip lever          |
| 36 | 375-3000 | Bail trip lever washer   |
| 37 | G19-3701 | Screw (F)                |
| 38 | H24-4202 | Roller clutch retainer   |

**Key No. Parts No. Parts Name**

|     |          |                         |
|-----|----------|-------------------------|
| 39  | 351-6101 | Screw (G)               |
| 40  | H24-4001 | Clutch cam retainer     |
| 41  | H24-7601 | Clutch cam              |
| 42  | G31-4501 | Roller clutch           |
| 43  | H17-2703 | Spacing sleeve          |
| 44  | H24-4501 | Bearing retainer (A)    |
| 45  | G55-7101 | Screw (H)               |
| 46  | G42-6301 | Ball bearing (B)        |
| 47  | H24-3901 | Collar (E)              |
| 48  | E26-2701 | Ratchet                 |
| 49  | E33-9701 | Washer (B)              |
| 50  | H24-3801 | Pinion gear             |
| 51  | H24-3701 | Collar (F)              |
| 52  | H30-8301 | Body assembly           |
| 53  | H30-9601 | Main shaft              |
| 54  | H24-3101 | Oscillating gear (A)    |
| 55  | H24-3001 | Oscillating gear (B)    |
| 56  | G15-7401 | Oscillating gear spring |
| 57  | G46-7102 | Ball bearing (C)        |
| 58  | H27-2201 | Screw (I)               |
| 59  | H24-3301 | Collar (G)              |
| 60  | H24-3201 | Anti-reverse pawl       |
| 61  | H24-4401 | Spring                  |
| 62  | 351-6401 | Screw (J)               |
| 63  | H24-4302 | Drive gear              |
| 64  | 371-2800 | Washer (C)              |
| 65  | F24-0001 | Ball bearing (D)        |
| 66  | H31-3101 | Side cover              |
| 67  | G16-0101 | Screw (K)               |
| 68  | G52-2802 | Ball bearing (E)        |
| 69  | H04-7201 | Bearing retainer (B)    |
| 70  | F40-9001 | Collar (H)              |
| 71  | H05-1301 | Handle screw            |
| 72  | H32-2201 | Handle assembly         |
| 73  | G19-4301 | Brake shoe              |
| 2~7 | H30-9001 | Spool assembly          |