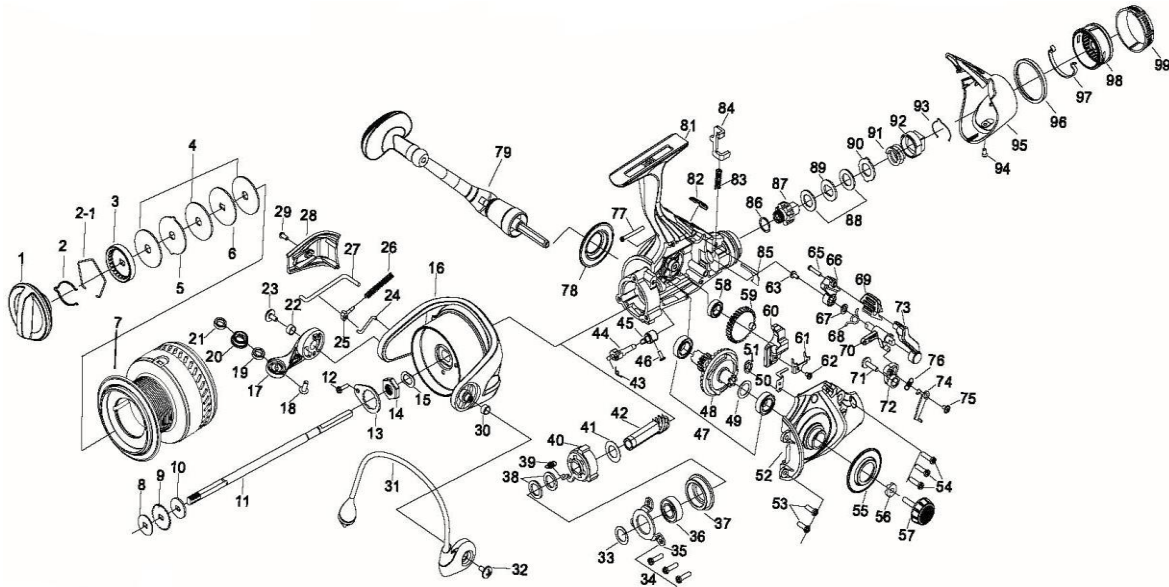




# SPINNING REEL EMCAST BR 4000A-5000A

Please order by parts number, not key number  
 Veuillez indiquer le numéro de la pièce (Non "Key" No.)



Key No.	Part No.	Part Name
1	W96-0001	DRAG KNOB ASSEMBLY
2	W96-0601	CLICK SPRING
2-1	W94-0501	RETAINER
3	W96-1901	KEY WASHER
4	W96-1001	DRAG WASHER
5	W96-1101	EARED WASHER
6	W94-1201	KEY WASHER A
7	W94-0201	SPOOL
8	W97-2201	WASHER RET
9	W97-1901	CLICK GEAR
10	W97-3701	SPACER WASHER
11	W97-1801	MAIN SHAFT
12	W95-4501	SCREW
13	W93-2701	ROTOR NUT NET PLT
14	W93-1801	ROTOR NUT
15	W93-1901	ROTOR RET PLT
16	W93-0001	ROTOR
17	W93-0101	BAIL ARM
18	W95-9701	SCREW
19	W93-1601	LINE ROLLER BUSHING
20	W93-1501	LINE ROLLER
21	W93-1601	LINE ROLLER BUSHING
22	W93-0801	SLEEVE
23	W98-6201	SCREW
24	W93-1101	BAIL ARM SHAFT
25	W93-0901	BAIL ARM OSC SLIDER
26	W93-1001	SPRING
27	W93-0501	BAIL LEVER
28	W93-0401	BAIL ARM LEVER COVER
29	W94-5201	SCREW
30	W93-0801	SLEEVE
31	W99-1101	BAIL ASSEMBLY
32	W98-6201	SCREW
33	W98-1101	WASHER
34	W94-5401	SCREW
35	W91-0501	BEARING PLT
36	W90-8001	BALL BEARING
37	W97-0301	BEARING HOLDER
38	W98-1001	WASHER
39	W98-2001	SPRING
40	W90-2001	ROLLER CLUTCH
41	W98-3301	WASHER
42	W97-0201	PINION
43	W98-0101	A/R CAM SPRING
44	W98-0001	A/R LEVER
45	W98-0801	A/R SWITCH
46	W94-5801	SCREW
47	W90-8401	BALL BEARING
48	W97-0001	MAIN GEAR
49	W98-1901	WASHER
50	W92-0201	CLICKER SPRING
51	W99-0101	CLICKER SPRING RET
52	W92-0001	BODY COVER
53	W95-8201	SCREW
54	W91-0201	SCREW

Key No.	Part No.	Part Name
55	W91-0901	BODY COVER RING
56	W95-1501	HANDLE CAP WASHER
57	W95-1301	HANDLE SCREW CAP
58	W97-0101	BALL BEARING
59	W97-0501	OSC GEAR
60	W97-0801	OSC SLIDER
61	W97-0901	COVER PLATE
62	W94-2501	SCREW
63	W95-3501	SCREW
65	W95-9901	SCREW
66	W99-3501	FREE SPOOL LEVER
67	W99-4501	LEVER PLATE
68	W99-5501	SPRING
69	W99-6501	FREE SPOOL LEVER
70	W98-0401	BR CLUTCH CAM
71	W97-1001	SCREW
72	W98-0301	A/R LEVER
73	W99-7501	FREE SPOOL LEVER
74	W97-3101	FREE SPOOL LEVER PLT
75	W95-5201	SCREW
76	W99-1701	SPRING
77	W99-9901	SCREW
78	W91-0901	BODY RING
79	W95-0901	HANDLE ASSEMBLY
81	W91-0001	BODY
82	W91-0801	GLOW PLATE
83	W91-1601	SPRING
84	W91-1401	SHAFT KEY
85	W96-2401	SHIM
86	W96-0801	WASHER
87	W96-0901	CLUTCH HOLDER
88	W96-6001	WASHER
89	W96-6201	WASHER
90	W96-9901	CLUTCH PLATE
91	W96-0201	SPRING
92	W96-0701	CLICKER SEAT
93	W96-1301	CLUTCH RET SPRING
94	W93-8301	SCREW
95	W91-0802	REAR COVER
96	W96-0401	REAR DRAG RING
97	W96-0301	RET PLATE
98	W96-2901	REAR DRAG KNOB
99	W98-8801	GRIP RING

Key No.	Part No.	Part Name
7	W94-0301	SPOOL
16	W93-0701	ROTOR
31	W98-1301	BAIL ASSEMBLY

Key No.	Part No.	Part Name
7	W94-0401	SPOOL
16	W93-0701	ROTOR
31	W98-1301	BAIL ASSEMBLY