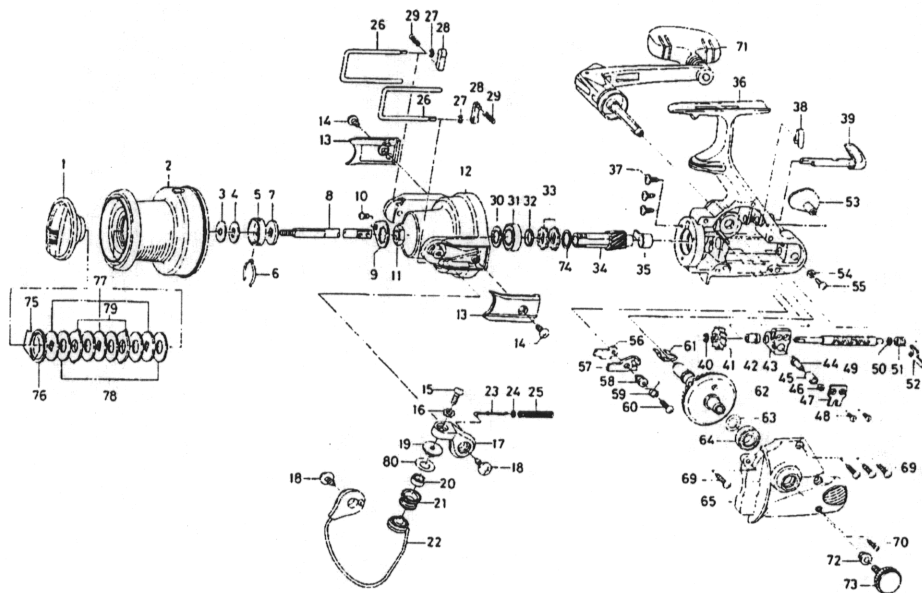


SPINNING REEL **EMBLEM-X5500T/6000T**



Key No.	Parts No.	Parts Name
2,75-79	F52-9901	Spool assembly
1	F52-8001	Drag knob
2	F53-0001	Spool assembly
3	E39-9201	Spool washer A
4	F04-3401	Spool washer B
5	F20-4001	Click leaf spring holder
6	B74-7701	Spool click leaf spring
7	E26-7501	Main shaft washer
8	F52-0602	Main shaft
9	E33-3801	Rotor nut holding plate
10	E15-7502	Rotor nut holding plate screw
11	B43-7605	Rotor nut
12	F39-0405	Rotor
13	E43-2808	Bail spring cover
14	E10-7401	Bail spring cover screw
15	E45-4004	Line roller screw
16	160-8401	Lock washer
17	F47-2101	Bail arm
18	E00-7601	Bail arm screw
19	F44-6302	Line roller collar
20	F05-5601	Ball bearing A
21	F45-4902	Line roller
22	F52-0201	Bail assembly
23	E32-6701	Bail spring shaft
24	E31-3901	Bail spring washer
25	E39-5901	Bail spring
26	E43-1302	Line guard shaft
27	B33-9801	Line guard retainer
28	E39-6201	Line guard plate
29	F06-3301	Line guard spring
30	372-7603	Bearing washer
31	637-6101	Ball bearing B
32	F43-6001	Spacing sleeve
33	F04-3501	Anti-reverse ratchet
34	E43-1602	Pinion gear
35	E33-2101	Pinion collar
36	F52-9701	Body assembly
37	E03-7801	Bearing retainer screw
38	E32-7801	Anti-reverse cam spring
39	F03-5401	Anti-reverse lever
40	320-5901	Worm shaft gear retainer
41	F43-1801	Worm shaft gear
42	E39-3501	Worm shaft bush
43	E43-2901	Oscillating slider
44	F26-4101	Oscillating pawl
45	E26-4201	Oscillating pawl bush
46	375-0801	Oscillating pawl washer
47	E26-4301	Oscillating slider cover
48	352-1502	Oscillating slider cover screw

Key No.	Parts No.	Parts Name
49	E33-5901	Worm shaft
50	B41-1701	Worm shaft washer
51	E43-6101	Worm shaft collar
52	E43-6201	Worm shaft retainer
53	F32-3304	Rear cover
54	E15-3101	Rear cover washer
55	E33-0402	Rear Cover screw
56	F43-2301	Anti-reverse pawl plate
57	E43-2001	Anti-reverse pawl
58	E26-2101	Anti-reverse pawl collar
59	E43-6301	Anti-reverse pawl spring A
60	B83-5002	Anti-reverse pawl screw
61	F41-7401	Anti-reverse pawl spring B
62	E43-3001	Drive gear
63	371-2822	Drive gear washer
64	B54-6001	Ball bearing C
65	F52-9801	Side cover
69	B00-9701	Side cover screw A
70	E15-8602	Side cover screw B
71	F52-9402	Handle assembly
72	F40-9001	Handle collar
73	L00-9107	Handle lock screw
74	372-7603	Spacer
75	170-4101	Drag washer retainer
76	F03-9701	Drag plate
77	F03-5101	Key washer
78	B36-0207	Drag washer
79	372-3832	Eared washer
80	F44-6202	Line roller washer

EM-X6000T SPECIAL PARTS

2,75-79	F53-1201	Spool assembly
2	F53-1101	Spool assembly
12	F39-0505	Rotor
22	F52-4301	Bail assembly
34	F43-1702	Pinion gear
36	F53-1301	Body assembly
41	E43-1901	Worm shaft gear
62	E43-3101	Drive gear
65	F53-1401	Side cover