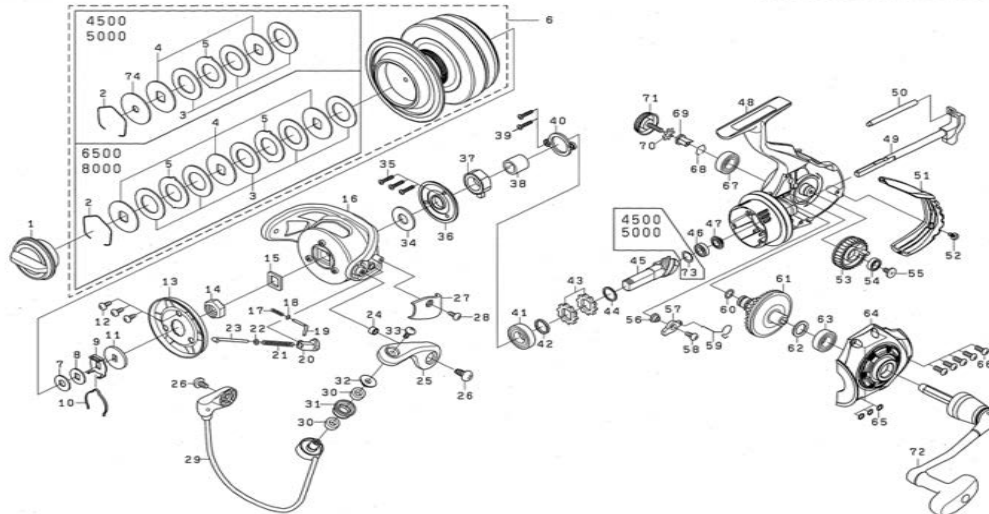


DAWA SPINNING REEL

ELIMINATOR4500_5000_6500_8000

*Please order by parts number, not key number.



Key No	ELIMINATOR4500 Part No	Description	ELIMINATOR5000 Part No	ELIMINATOR6500 Part No	ELIMINATOR8000 Part No
1	J31-2102	DRAG KNOB	J31-2102	J31-2102	J31-2102
2	F68-4001	DRAG WASHER RETAINER	F68-4001	F68-4001	F68-4001
3	F69-1001	DRAG WASHER	F69-1001	F69-1001	F69-1001
4	H17-5101	KEY WASHER	H17-5101	H17-5101	H17-5101
5	G70-0701	EARED WASHER	G70-0701	G70-0701	G70-0701
6	M30-7401	SPOOL ASSY	M30-7601	M30-7801	M30-8001
7	F05-0104	SPOOL WASHER (A)	F05-0104	F05-0104	F05-0104
8	F05-0002	SPOOL WASHER (B)	F05-0002	F05-0002	F05-0002
9	H30-9501	CLICK LEAF SPRING HOLDER	H30-9501	H32-3701	H32-3701
10	B74-7701	SPOOL CLICK LEAF SPRING	B74-7701	G34-1401	G34-1401
11	F04-9901	SPOOL WASHER (C)	F04-9901	F04-9901	F04-9901
12	G27-0801	ROTOR COVER SCREW	G27-0801	G27-0801	G27-0801
13	J32-2501	ROTOR COVER SCREW	J32-2501	J31-0601	J31-0601
14	J32-2401	ROTOR NUT	J32-2401	J31-0501	J31-0501
15	G39-2202	ROTOR NUT PLATE	G39-2202	J31-6501	J31-6501
16	J32-1601	ROTOR	J32-1601	J30-9401	J30-9401
17	H50-3401	ROTOR BRAKE SPRING	H50-3401	H78-2801	H78-2801
18	G68-5401	ROTOR BRAKE SPRING WASHER	G68-5401	E27-2501	E27-2501
19	H50-3301	ROTOR BRAKE SHAFT	H50-3301	H68-4601	H68-4601
20	J32-2001	ARM LEVER SPRING HOLDER	J32-2001	H68-4701	H68-4701
21	J32-1901	ARM LEVER SPRING	J32-1901	G41-8101	G41-8101
22	J32-1801	ARM LEVER SHAFT PLATE	J32-1801	J30-9601	J30-9601
23	J32-1701	ARM LEVER SHAFT	J32-1701	J30-9501	J30-9501
24	H94-5501	ARM LEVER SCREW COLLAR	H94-5501	H94-5501	H94-5501
25	J30-9703	ARM LEVER	J30-9703	J30-9703	J30-9703
26	G45-5601	ARM LEVER SCREW	G45-5601	G45-5601	G45-5601
27	J32-2101	ARM LEVER COVER	J32-2101	J30-9801	J30-9801
28	G27-0801	ARM LEVER COVER SCREW	G27-0801	G27-0801	G27-0801
29	J32-3301	BAIL	J32-3301	J30-9901	J30-9901
30	J41-6001	ROLLER COLLAR (A)	J41-6001	J41-6001	J41-6001
31	H24-6103	LINE ROLLER	H24-6103	H24-6103	H24-6103
32	J31-0401	ROLLER COLLAR (B)	J31-0401	J31-0401	J31-0401
33	F60-8901	ROLLER SCREW	F60-8901	F60-8901	F60-8901
34	J30-9301	ONEWAY CLUTCH PLATE WASHER	J30-9301	J30-9301	J30-9301
35	J00-1601	ONEWAY CLUTCH PLATE SCREW	J00-1601	J00-1601	J00-1601
36	J32-3901	ONEWAY CLUTCH PLATE	J32-3901	J30-9201	J30-9201
37	J30-9101	ONEWAY CLUTCH	J30-9101	J30-9101	J30-9101
38	J30-9002	CLUTCH RING	J30-9002	J30-9002	J30-9002
39	J00-1602	PINION BEARING RETAINING PLATE SCREW	J00-1602	J00-1601	J00-1601
40	J30-8401	PINION BEARING RETAINING PLATE	J30-8401	J30-8401	J30-8401
41	G42-6301	PINION BALL BEARING (A)	G42-6301	G42-6301	G42-6301
42	G61-3404	PINION BEARING WASHER	G61-3404	H24-3901	H24-3901
43	E26-2701	ANTI REVERSE RATCHET	E26-2701	E26-2701	E26-2701
44	G61-3404	PINION WASHER	G61-3404	E33-9701	E33-9701
45 61	H02-3256	PINION DRIVE GEAR SET	Z02-3256	Z02-4229	Z02-4229
46	G52-2706	PINION BALL BEARING (B)	G52-2706	B86-1704	B86-1704
47	J32-0901	PINION BEARING COLLAR	J32-0901	J30-8101	J30-8101
48	M25-2401	BODY	M25-2401	M20-3701	M20-3701
49	J32-0501	MAIN SHAFT	J32-0501	J30-7701	J30-7701
50	J32-0801	OSCILLATING POST	J32-0801	J30-8001	J30-8001
51	J32-1504	REAR COVER	J32-1504	J30-8905	J30-8905
52	J00-1801	REAR COVER SCREW	J00-1801	J00-1801	J00-1801
53	J32-0401	OSCILLATING GEAR	J32-0401	J30-7601	J30-7601
54	G46-7105	OSCILLATING GEAR BALL BEARING	G46-7105	B86-1704	B86-1704
55	H27-2201	OSCILLATING GEAR SCREW	H27-2201	H34-7101	H34-7101
56	H24-3301	ANTI REVERSE COLLAR	H24-3301	H24-3301	H24-3301
57	H24-3201	ANTI REVERSE PAWL	H24-3201	M03-0401	M03-0401
58	351-6401	ANTI REVERSE PAWL SCREW	351-6401	351-6401	351-6401
59	J30-8601	ANTI REVERSE PAWL SPRING	J30-8601	J30-8601	J30-8601
60	J32-1201	DRIVE GEAR O RING	J32-1201	J30-8501	J30-8501
45 61	Z02-3256	PINION DRIVE GEAR SET	Z02-3256	Z02-4229	Z02-4229
62	371-2824	DRIVE GEAR WASHER	371-2824	371-2824	371-2824
63	G52-2802	DRIVE BALL BEARING (A)	G52-2802	G52-2802	G52-2802
64	J53-3605	BODY COVER	J53-3605	J72-5304	J72-5304
65	J42-3501	BODY COVER SCREW WASHER	J42-3501	J42-3501	J42-3501
66	351-6417	BODY COVER SCREW	351-6417	351-6417	351-6417
67	G52-2802	DRIVE BALL BEARING (B)	G52-2802	G52-2802	G52-2802
68	H04-7201	DRIVE BALL BEARING RETAINER	H04-7201	H04-7201	H04-7201
69	F40-9001	HANDLE COLLAR	F40-9001	F40-9001	F40-9001
70	160-8101	HANDLE WASHER	160-8101	160-8101	160-8101
71	J31-1601	HANDLE SCREW	J31-1601	J31-1601	J31-1601
72	J72-3201	HANDLE ASSY	J72-3201	J72-5401	J72-5401
73	G57-8501	PINION SPRING WASHER	G57-8501	-----	-----
74	H38-0901	DRAG KNOB WASHER	H38-0901	-----	-----