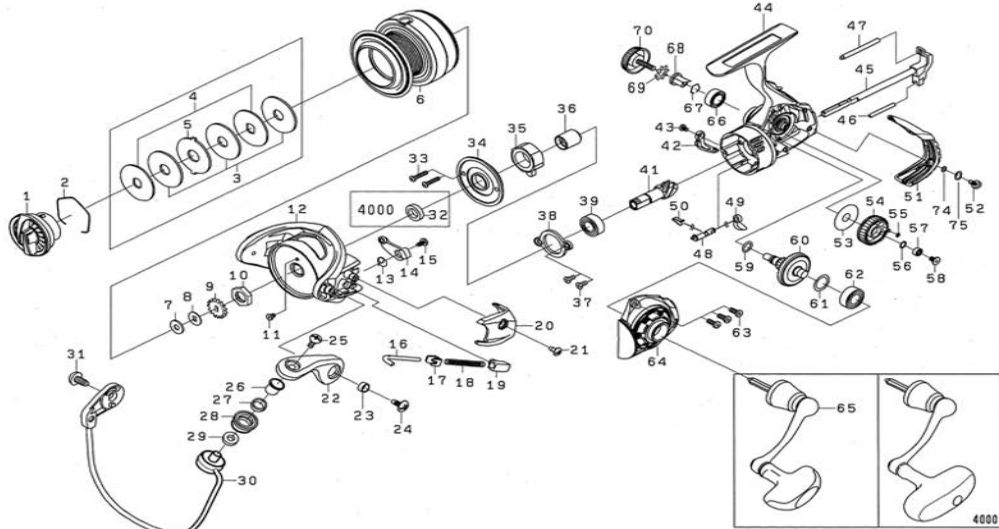


ELIMINATOR2500_3000_4000

*Please order by parts number, not key number.



Key No	Part No	Description
1	J35-6602	DRAG KNOB
2	F37-3301	DRAG WASHER RETAINER
3	E13-6001	KEY WASHER
4	E46-7201	DRAG WASHER
5	373-3606	EARED WASHER
2 6	M30-6801	SPOOL ASSY
7	E39-8003	SPOOL WASHER (A)
8	E46-7101	SPOOL WASHER (B)
9	G83-9301	SPOOL CLICK WASHER
10	J00-1901	ROTOR NUT
11	H02-2701	ROTOR NUT SCREW
12	H96-0038	ROTOR
13	H41-3601	BAIL TRIP LEVER SPRING
14	J03-8501	BAIL TRIP LEVER
15	H41-7701	BAIL TRIP LEVER SCREW
16	H41-4101	ARM LEVER SHAFT
17	H57-6101	ARM LEVER SHAFT PLATE
18	H41-5701	ARM LEVER SPRING
19	H41-4301	ARM LEVER SPRING HOLDER
20	H96-0203	ARM LEVER COVER
21	G27-0801	ARM LEVER COVER SCREW
22	H72-8927	A R M LEVER
23	H96-2401	ARM LEVER SCREW COLLAR
24	G20-5001	ARM LEVER SCREW
25	G19-5602	ROLLER SCREW
26	J56-6101	ROLLER COLLAR (A)
27	G22-0701	ROLLER COLLAR (B)
28	J08-9902	LINE ROLLER
29	G87-4201	ROLLER COLLAR (C)
30	J37-5101	BAIL
31	G20-5001	BAIL HOLDER SCREW
32	4000	
33	J00-1601	ONEWAY CLUTCH PLATE SCREW
34	J00-1501	ONEWAY CLUTCH PLATE
35	J38-8401	ONEWAY CLUTCH
36	J00-1403	CLUTCH RING
37	J00-0901	PINION BEARING RETAINING PLATE SCREW
38	H44-2201	PINION BEARING RETAINING PLATE
39	G46-7302	PINION BALL BEARING (A)
41 60	202-2035	PINION DRIVE GEAR SET
42	J00-1101	BAIL TRIP COLLAR
43	G94-0402	BAIL TRIP COLLAR SCREW
44	M20-2801	BODY
45	J00-0701	MAIN SHAFT
46	J08-4801	OSCILLATING POST (A)
47	H61-4301	OSCILLATING POST (B)
48	H59-5501	ANTI REVERSE CAM
49	H59-5401	ANTI REVERSE LEVER
50	H69-7801	ANTI REVERSE CAM SPRING
51	J35-5707	REAR COVER
52	J00-1801	REAR COVER SCREW
53	H59-5701	OSCILLATING GEAR WASHER
54	H59-5801	OSCILLATING GEAR
55	H77-0601	OSCILLATING GEAR O RING
56	H12-9201	OSCILLATING GEAR BEARING WASHER
57	G46-9005	OSCILLATING GEAR BALL BEARING
58	G94-0402	OSCILLATING GEAR SCREW
59	G67-0501	DRIVE GEAR O RING
41 60	202-2035	PINION DRIVE GEAR SET
61	375-8502	DRIVE GEAR WASHER
62	G46-7302	DRIVE BALL BEARING (A)
63	G33-2906	BODY COVER SCREW
64	J71-6804	BODY COVER
65	J71-9701	HANDLE ASSY
66	G52-2706	DRIVE BALL BEARING (B)
67	G47-2401	DRIVE BALL BEARING RETAINER
68	F72-1001	HANDLE COLLAR
69	160-8401	HANDLE WASHER
70	H61-3303	HANDLE SCREW
74	F03-7404	REAR COVER WASHER (A)
75	B41-1703	REAR COVER WASHER (B)

ELIMINATOR3000

Part No	Description
J35-6602	DRAG KNOB
F37-3301	DRAG WASHER RETAINER
E13-6001	KEY WASHER
E46-7201	DRAG WASHER
373-3606	EARED WASHER
M30-7001	SPOOL ASSY
E39-8003	SPOOL WASHER (A)
E46-7101	SPOOL WASHER (B)
G83-9301	SPOOL CLICK WASHER
J00-1901	ROTOR NUT
H02-2701	ROTOR NUT SCREW
H98-6323	ROTOR
H41-3601	BAIL TRIP LEVER SPRING
J07-2301	BAIL TRIP LEVER
H41-7701	BAIL TRIP LEVER SCREW
H57-2001	ARM LEVER SHAFT
H57-6101	ARM LEVER SHAFT PLATE
J08-3301	ARM LEVER SPRING
J08-3401	ARM LEVER SPRING HOLDER
H98-6402	ARM LEVER COVER
G27-0801	ARM LEVER COVER SCREW
H72-8927	A R M LEVER
H96-2401	ARM LEVER SCREW COLLAR
G20-5001	ARM LEVER SCREW
G19-5602	ROLLER SCREW
J56-6101	ROLLER COLLAR (A)
G22-0701	ROLLER COLLAR (B)
J08-9902	LINE ROLLER
G87-4201	ROLLER COLLAR (C)
H98-5302	BAIL
G20-5001	BAIL HOLDER SCREW
J00-1601	ONEWAY CLUTCH PLATE SCREW
J01-3401	ONEWAY CLUTCH PLATE
J38-8401	ONEWAY CLUTCH
J00-1403	CLUTCH RING
J00-0901	PINION BEARING RETAINING PLATE SCREW
H41-1501	PINION BEARING RETAINING PLATE
G53-5104	PINION BALL BEARING (A)
202-1570	PINION DRIVE GEAR SET
J00-1101	BAIL TRIP COLLAR
G94-0402	BAIL TRIP COLLAR SCREW
M20-3001	BODY
J01-2801	MAIN SHAFT
J08-4801	OSCILLATING POST (A)
H61-4301	OSCILLATING POST (B)
H59-5501	ANTI REVERSE CAM
H59-5401	ANTI REVERSE LEVER
H69-7801	ANTI REVERSE CAM SPRING
J36-3702	REAR COVER
J00-1801	REAR COVER SCREW
H59-5701	OSCILLATING GEAR WASHER
H61-3901	OSCILLATING GEAR
G46-6001	OSCILLATING GEAR O RING
H12-9201	OSCILLATING GEAR BEARING WASHER
G46-9005	OSCILLATING GEAR BALL BEARING
G94-0402	OSCILLATING GEAR SCREW
G67-0501	DRIVE GEAR O RING
202-1570	PINION DRIVE GEAR SET
375-8502	DRIVE GEAR WASHER
G46-7302	DRIVE BALL BEARING (A)
G33-2906	BODY COVER SCREW
J72-0204	BODY COVER
J71-9701	HANDLE ASSY
G52-2706	DRIVE BALL BEARING (B)
G47-2401	DRIVE BALL BEARING RETAINER
F72-1001	HANDLE COLLAR
160-8401	HANDLE WASHER
H61-3303	HANDLE SCREW
F03-7404	REAR COVER WASHER (A)
B41-1703	REAR COVER WASHER (B)

ELIMINATOR4000

Part No	Description
J36-2902	DRAG KNOB
F37-3301	DRAG WASHER RETAINER
E13-6001	KEY WASHER
E46-7201	DRAG WASHER
373-3606	EARED WASHER
M30-7201	SPOOL ASSY
E39-8003	SPOOL WASHER (A)
E46-7101	SPOOL WASHER (B)
G83-9301	SPOOL CLICK WASHER
J02-1601	ROTOR NUT
H02-2701	ROTOR NUT SCREW
H99-4324	ROTOR
H41-3601	BAIL TRIP LEVER SPRING
H99-4401	BAIL TRIP LEVER
H41-7701	BAIL TRIP LEVER SCREW
H64-0601	ARM LEVER SHAFT
H57-6101	ARM LEVER SHAFT PLATE
H64-0701	ARM LEVER SPRING
J08-3401	ARM LEVER SPRING HOLDER
H99-4602	ARM LEVER COVER
G27-0801	ARM LEVER COVER SCREW
H72-8927	A R M LEVER
H96-2401	ARM LEVER SCREW COLLAR
G20-5001	ARM LEVER SCREW
G19-5602	ROLLER SCREW
J56-6101	ROLLER COLLAR (A)
G22-0701	ROLLER COLLAR (B)
J08-9902	LINE ROLLER
G87-4201	ROLLER COLLAR (C)
H98-5302	BAIL
G20-5001	BAIL HOLDER SCREW
H64-0301	BAIL HOLDER SCREW
J00-1601	ONEWAY CLUTCH PLATE SCREW
J02-1401	ONEWAY CLUTCH PLATE
J30-9101	ONEWAY CLUTCH
J02-1304	CLUTCH RING
J00-0901	PINION BEARING RETAINING PLATE SCREW
J02-0801	PINION BEARING RETAINING PLATE
G52-2802	PINION BALL BEARING (A)
202-1606	PINION DRIVE GEAR SET
J02-1001	BAIL TRIP COLLAR
G94-0402	BAIL TRIP COLLAR SCREW
M20-3201	BODY
J02-0601	MAIN SHAFT
H61-4301	OSCILLATING POST (A)
H61-4301	OSCILLATING POST (B)
J02-0501	ANTI REVERSE CAM
H59-5401	ANTI REVERSE LEVER
H69-7801	ANTI REVERSE CAM SPRING
J36-2103	REAR COVER
J00-1801	REAR COVER SCREW
G64-4201	OSCILLATING GEAR WASHER
G64-4302	OSCILLATING GEAR
B85-3101	OSCILLATING GEAR O RING
G52-2103	OSCILLATING GEAR BEARING WASHER
G46-7105	OSCILLATING GEAR BALL BEARING
H27-2202	OSCILLATING GEAR SCREW
G64-5301	DRIVE GEAR O RING
202-1606	PINION DRIVE GEAR SET
373-7808	DRIVE GEAR WASHER
G52-3405	DRIVE BALL BEARING (A)
G33-2906	BODY COVER SCREW
J45-9505	BODY COVER
J72-0701	HANDLE ASSY
B86-1704	DRIVE BALL BEARING (B)
G52-5101	DRIVE BALL BEARING RETAINER
F72-1202	HANDLE COLLAR
160-8101	HANDLE WASHER
H64-1803	HANDLE SCREW
F03-7404	REAR COVER WASHER (A)
B41-1703	REAR COVER WASHER (B)