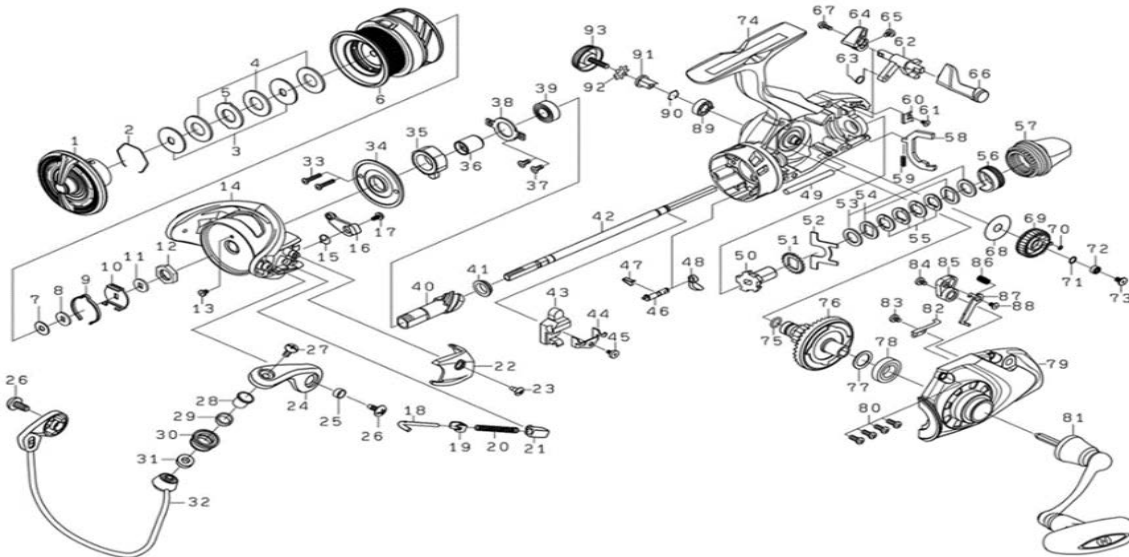


# DAIWA SPINNING REEL

## ECLTBR2500/3000/4000-C/5000-C

\*Please order by parts number, not key number.



Key No	Part No	Description
1	Q34-6201	DRAG KNOB
2	Q34-6101	DRAG RING
3	J54-7001	DRAG DISC WASHER
4	J54-6801	DRAG WASHER
5	Q34-6001	DRAG LIP WASHER
2~6	Q50-3701	SPOOL
7	E39-8003	SPOOL WASHER (A)
8	Q34-8502	SPOOL WASHER (B)
9	Q45-7701	CLICK LEAF SPRING
10	Q45-7601	CLICK HOLDER
11	Q34-4001	CLICK HOLDER WASHER
12	Q12-2401	ROTOR NUT
13	H02-2701	ROTOR NUT SCREW
14	Q34-3006	ROTOR
15	H41-3601	KICK LEVER SPRING
16	Q34-3101	KICK LEVER
17	H41-7701	KICK LEVER SCREW
18	Q34-3301	ARMLEVER SHAFT
19	H57-6101	ARMLEVER SHAFT PLATE
20	J64-2801	ARMREVER SPRING
21	Q12-1501	ARMLEVER SPRING HOLDER
22	Q34-3501	ARMLEVER SPRING COVER
23	Q34-2901	ARMLEVER SPRING COVER SCREW
24	Q12-1604	ARMLEVER
25	Q12-1701	ARMLEVER SCREW COLLER
26	Q34-3401	ARMLEVER SCREW
27	G19-5602	ROLLER SCREW
28	G19-5501	ROLLER COLLAR (A)
29	G22-0701	ROLLER COLLAR (B)
30	J08-9902	LINE ROLLER
31	Q20-3401	ROLLER COLLAR (C)
32	Q45-7501	BAIL
33	G83-7101	ONEWAY CLUTCH PLATE SCREW
34	Q13-9401	ONEWAY CLUTCH PLATE
35	J38-8401	ONEWAY CLUTCH
36	J00-1403	CLUTCH RING
37	Q12-6201	PINION BEARING PLATE SCREW
38	Q19-5601	PINION BEARING PLATE
39	G53-5104	PINION BALL BEARING
40	Q46-3502	PINION GEAR
41	Q41-9201	PINION COLLAR
42	Q50-2601	MAIN SHAFT
43	Q50-2501	OSILLATING SLIDER
44	Q50-2701	OSILLATING SLIDER RETAINER
45	G78-6102	OSILLATING SLIDER SCREW
46	Q11-8101	STOPPER CAM
47	H69-7801	STOPPER CAM SPRING
48	Q11-8001	STOPPER LEVER
49	Q11-9102	OSCILLATING POST
50	Q50-1701	BRAKE METAL
51	H04-6601	CLICK GEAR
52	Q50-1601	CLICK GEAR RETAINER
53	J16-6401	DRAG WASHER
54	H04-6901	DRAG DISC WASHER
55	150-8902	DRAG SPRING WASHER
56	Q50-1501	STOPPER LEVER
57	Q50-1401	DRAG KNOB
58	Q50-2201	CLUTCH PLATE (A)
59	Q50-2301	CLUTCH PLATE SPRING
60	Q50-2401	CLUTCH PLATE COLLAR
61	H63-8402	CLUTCH PLATE COLLAR SCREW
62	Q50-1801	CLUTCH CAM (A)
63	Q50-2101	CLUTCH CAM SPRING (A)
64	Q50-1902	CLUTCH LEVER (R)

Key No	Part No	Description
65	H06-6501	CLUTCH LEVER (R) SCREW (A)
66	Q50-3402	CLUTCH LEVER (L)
67	Q50-3501	CLUTCH LEVER (R) SCREW (B)
68	H59-5701	OSCILLATE GEAR WASHER
69	Q50-1301	OSCILLATE GEAR
70	H77-0601	OSCILLATE GEAR O-RING
71	H12-9201	OSCILLATE GEAR BEARING W
72	G46-9005	OSCILLATE GEAR BALL BEARING
73	Q12-6101	OSCILLATE GEAR SCREW
74	Q50-1101	BODY
75	G67-0501	DRIVE GEAR O-RING
76	Q50-2901	DRIVE GEAR
77	375-8502	DRIVE WASHER
78	G46-7302	DRIVE BALL BEARING
79	Q50-3002	BODY COVER
80	Q34-2601	BODY COVER SCREW
81	Q50-4001	HANDLE
82	Q52-1301	CLICK SPRING
85	Q50-3201	CLUTCH CAM (B)
86	Q50-3101	CLUTCH CAM SPRING (B)
87	Q50-3301	CLUTCH PLATE (B)
88	G61-1501	CLUTCH PLATE (B) SCREW
89	H02-2001	DRIVE BALL BEARING
90	G47-2401	DRIVE BEARING RING
91	F72-1001	HANDLE COLLAR
92	160-8401	HANDLE WASHER
93	Q13-2406	HANDLE SCREW

### ECLTBR3000 Special Parts

Key No	Part No	Description
2~6	Q53-1601	SPOOL
14	Q12-0518	ROTOR
16	Q12-0701	KICK LEVER
18	Q12-1201	ARMLEVER SHAFT
22	Q12-1801	ARMLEVER SPRING COVER
32	Q51-8701	BAIL
42	Q50-2602	MAIN SHAFT
69	Q53-1401	OSCILLATE GEAR
74	Q53-1301	BODY

### ECLTBR4000-C Special Parts

Key No	Part No	Description
1	Q35-2901	DRAG KNOB
2~6	Q53-2001	SPOOL
14	Q35-1805	ROTOR
16	Q35-1901	KICK LEVER
18	Q12-9501	ARMLEVER SHAFT
20	H41-4201	ARMREVER SPRING
22	Q35-2101	ARMLEVER SPRING COVER
32	Q46-3801	BAIL
42	Q50-2603	MAIN SHAFT
43	Q53-1801	OSILLATING SLIDER
69	Q35-0901	OSCILLATE GEAR
70	G46-6001	OSCILLATE GEAR O-RING

### ECLTBR5000-C Special Parts

Key No	Part No	Description
1	Q35-2901	DRAG KNOB
2~6	Q53-2201	SPOOL
14	Q12-9214	ROTOR
16	Q12-9301	KICK LEVER
20	H41-4201	ARMREVER SPRING
22	Q12-9601	ARMLEVER SPRING COVER
32	Q16-7901	BAIL