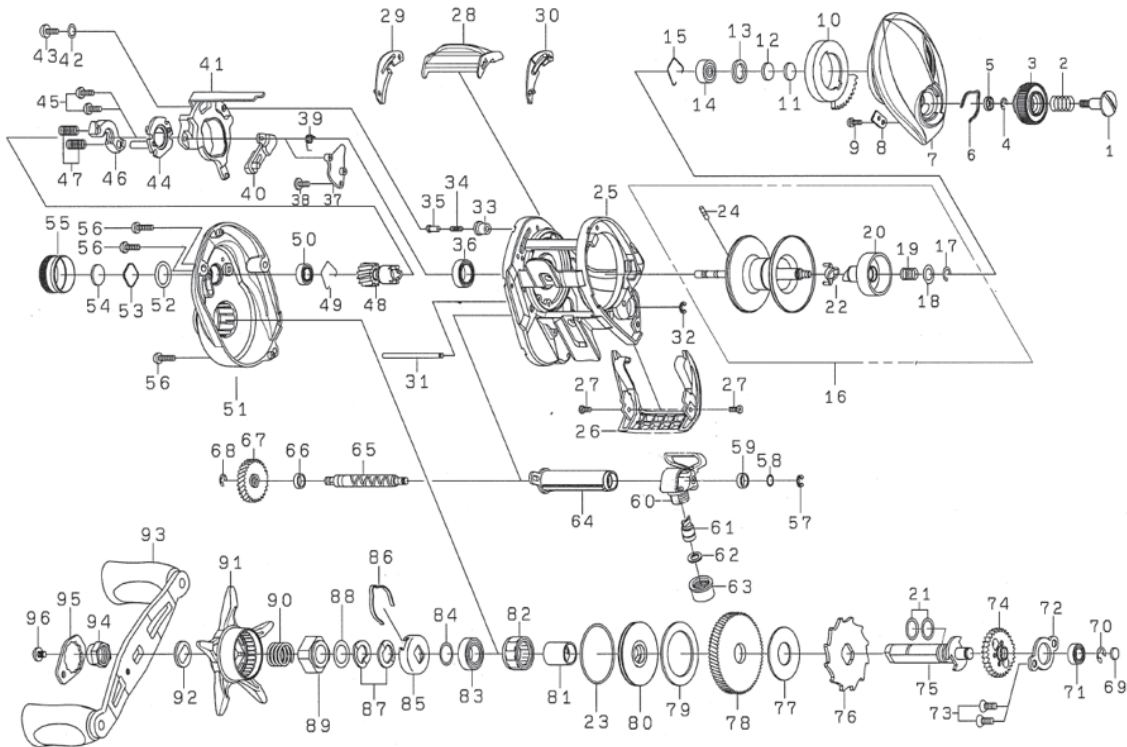


DAIWA BAITCASTING REEL

CLSVTW150HSL

*Please order by parts number, not key number.



Key No	Part No	Description	Key No	Part No	Description
1	J71-6301	BRAKE DIAL SCREW	52	B05-5201	ZERO ADJUSTE O-RING
2	E16-7101	BRAKE DIAL SPRING	53	J21-3101	ZERO ADJUSTE WASHER (A)
3	J69-4904	BRAKE DIAL	54	B17-5501	ZERO ADJUSTE WASHER (B)
4	B33-9801	BRAKE DIAL RETAINER(A)	55	J87-6501	ZERO ADJUSTE KNOB
5	F63-7701	BRAKE DIAL COLLAR	56	G04-0830	LS PLATE SCREW (A)
6	J88-6201	BRAKE DIAL LEAF SPRING	57	320-5901	WORM SHAFT RETAINER(A)
7	J87-7601	RIGHT SIDE PLATE	58	B41-1702	WORM SHAFT WASHER(0.1MM)
8	J84-3301	BRAKE DIAL RETAINER(B)	59	G72-0001	WORM SHAFT COLLAR
9	G93-9301	BRAKE DIAL RETAINER(B) SCRERW	60	J24-3303	LEVEL WIND
10	J69-5001	MAGNET HOLDER	61	121-4212	PAWL
11	375-7404	RS BEARING WASHER (A)	62	373-1303	PAWL WASHER
12	375-7411	RS BEARING WASHER (B)	63	F40-2801	PAWL HOLDER NUT
13	G18-5101	RS BEARING WASHER (C)	64	J71-5801	WORM SHIELD
14	G51-1501	RS BALL BEARING	65	J24-3601	WORM SHAFT
15	F03-2201	RS BEARING RING	66	G72-0001	WORM SHAFT COLLAR
16-24	Z02-4996	SPOOL ASSY (16-24)	67	J69-3901	WORM SHAFT GEAR
21	F65-7801	"O" RING	68	B33-9801	WORM SHAFT GEAR RETAINER
23	J45-8101	"O" RING	69	G09-9801	GEAR SHAFT WASHER(0.1MM)
25	J71-5303	FRAME	70	320-8002	GEAR SHAFT RETAINER
26	J69-4604	FRONT COVER	71	G46-6202	GEAR SHAFT BALL BEARING
27	H53-1508	FRONT COVER SCREW	72	J69-3701	GEAR SHAFT PLATE
28	J69-3301	CLUTCH LEVER	73	E13-4509	GEAR SHAFT PLATE SCREW
29	J69-2701	CLUTCH LEVER PLATE (R)	74	J69-3601	WORM GEAR
30	J69-2801	CLUTCH LEVER PLATE (L)	75	J87-6602	GEAR SHAFT
31	J28-1902	OSCILLATING POST	76	H66-0901	RATCHET
32	H70-4101	OSCILLATING POST RETAINER	77	J08-5101	DRIVE GEAR WASHER
33	J69-3401	CLUTCH CAM PLATE PIN SPRING COLLAR	78	J87-7501	DRIVE GEAR
34	H92-8801	CLUTCH CAM PLATE PIN SPRING	79	J60-5701	ATD DRAG WASHER (B323)
35	J05-5201	CLUTCH CAM PLATE PIN	80	J87-6801	DRAG DISC WASHER
36	B86-1704	CLUTCH CAM BALL BEARING	81	G01-1401	DRAG COLLAR
37	J71-5701	KICK LEVER PLATE (A)	82	J54-0401	ONEWAY CLUTCH
38	H53-1508	KICK LEVER PLATE (A) SCREW	83	B86-1704	HANDLE BALL BEARING
39	J40-7801	KICK LEVER SPRING	84	B55-3801	HANDLE BALL BEARING WASHER
40	J63-8601	KICK LEVER	85	F02-8203	DRAG HOLDER
41	J71-5401	CLUTCH CAM PLATE	86	F03-2401	DRAG HOLDER LEAF SPRING
42	H15-9202	CLUTCH CAM PLATE SCREW WASHER	87	150-8901	DRAG SPRING WASHER
43	352-2501	CLUTCH CAM PLATE SCREW	88	H92-9501	STAR DRAG WASHER
44	H65-9101	KICK LEVER PLATE (B)	89	J10-2304	DRAG NUT
45	B03-2904	KICK LEVER PLATE (B) SCREW	90	J01-1901	DRAG NUT SPRING
46	H94-4401	CLUTCH PLATE	91	J14-0004	STAR DRAG
47	J31-3901	CLUTCH SPRING	92	F57-6601	HANDLE WAHSER
48	J71-6402	PINION GEAR	93	J87-7701	HANDLE ASSY
49	E21-9701	PINION RING	94	G79-3301	HANDLE NUT
50	G43-1107	PINION BALL BEARING	95	H83-4507	HANDLE LOCK PLATE
51	J87-7301	LEFT SIDE PLATE	96	353-8301	HANDLE LOCK PLATE SCREW