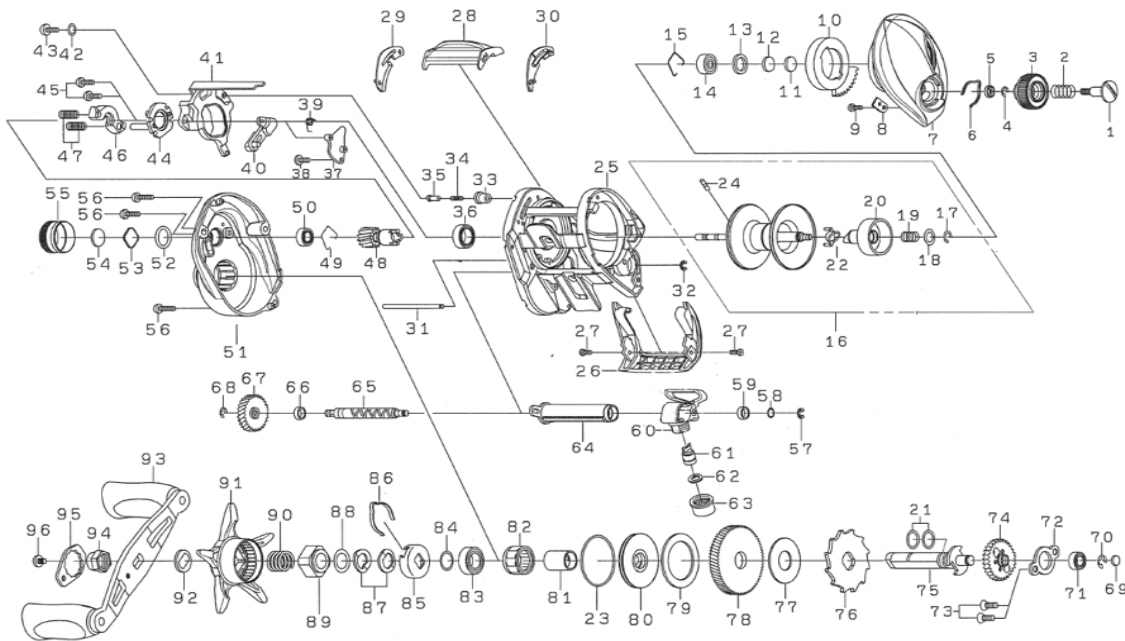


BAITCASTING REEL

CLSVTW150HSL

*Please order by parts number, not key number.



Key No	Part No	Description	Key No	Part No	Description
1	J71-6301	BRAKE DIAL SCREW	53	J21-3101	ZERO ADJUSTE WASHER (A)
2	E16-7101	BRAKE DIAL SPRING	54	B17-5501	ZERO ADJUSTE WASHER (B)
3	J69-4904	BRAKE DIAL	55	J87-6501	ZERO ADJUSTE KNOB
4	B33-9801	BRAKE DIAL RETAINER(A)	56	G04-0830	LS PLATE SCREW (A)
5	F63-7701	BRAKE DIAL COLLAR	57	320-5901	WORM SHAFT RETAINER(A)
6	J88-6201	BRAKE DIAL LEAF SPRING	58	B41-1702	WORM SHAFT WASHER(0.1MM)
7	J87-7601	RIGHT SIDE PLATE	59	G72-0001	WORM SHAFT COLLAR
8	J84-3301	BRAKE DIAL RETAINER(B)	60	J24-3303	LEVEL WIND
9	G93-9301	BRAKE DIAL RETAINER(B) SCREW	61	121-4212	PAWL
10	J69-5001	MAGNET HOLDER	62	373-1303	PAWL WASHER
11	375-7404	RS BEARING WASHER (A)	63	F40-2801	PAWL HOLDER NUT
12	375-7411	RS BEARING WASHER (B)	64	J71-5801	WORM SHIELD
13	G18-5101	RS BEARING WASHER (C)	65	J24-3601	WORM SHAFT
14	G51-1501	RS BALL BEARING	66	G72-0001	WORM SHAFT COLLAR
15	F03-2201	RS BEARING RING	67	J69-3901	WORM SHAFT GEAR
16-24	Z02-4996	SPOOL ASSY (16-24)	68	B33-9801	WORM SHAFT GEAR RETAINER
25	J71-5303	FRAME	69	G09-9801	GEAR SHAFT WASHER(0.1MM)
26	J69-4604	FRONT COVER	70	320-8002	GEAR SHAFT RETAINER
27	H53-1508	FRONT COVER SCREW	71	G46-6202	GEAR SHAFT BALL BEARING
28	J69-3301	CLUTCH LEVER	72	J69-3701	GEAR SHAFT PLATE
29	J69-2701	CLUTCH LEVER PLATE (R)	73	E13-4509	GEAR SHAFT PLATE SCREW
30	J69-2801	CLUTCH LEVER PLATE (L)	74	J69-3601	WORM GEAR
31	J28-1902	OSCILLATING POST	75	J87-6602	GEAR SHAFT
32	H70-4101	OSCILLATING POST RETAINER	76	H66-0901	RATCHET
33	J69-3401	CLUTCH CAM PLATE PIN SPRING COLLAR	77	J08-5101	DRIVE GEAR WASHER
34	H92-8801	CLUTCH CAM PLATE PIN SPRING	78	J87-7501	DRIVE GEAR
35	J05-5201	CLUTCH CAM PLATE PIN	79	J60-5701	ATD DRAG WASHER (B323)
36	B86-1704	CLUTCH CAM BALL BEARING	80	J87-6801	DRAG DISC WASHER
37	J71-5701	KICK LEVER PLATE (A)	81	G01-1401	DRAG COLLAR
38	H53-1508	KICK LEVER PLATE (A) SCREW	82	J54-0401	ONEWAY CLUTCH
39	J40-7801	KICK LEVER SPRING	83	B86-1704	HANDLE BALL BEARING
40	J63-8601	KICK LEVER	84	B55-3801	HANDLE BALL BEARING WASHER
41	J71-5401	CLUTCH CAM PLATE	85	F02-8203	DRAG HOLDER
42	H15-9202	CLUTCH CAM PLATE SCREW WASHER	86	F03-2401	DRAG HOLDER LEAF SPRING
43	352-2501	CLUTCH CAM PLATE SCREW	87	150-8901	DRAG SPRING WASHER
44	H65-9101	KICK LEVER PLATE (B)	88	H92-9501	STAR DRAG WASHER
45	B03-2904	KICK LEVER PLATE (B) SCREW	89	J10-2304	DRAG NUT
46	H94-4401	CLUTCH PLATE	90	J01-1901	DRAG NUT SPRING
47	J31-3901	CLUTCH SPRING	91	J14-0004	STAR DRAG
48	J71-6402	PINION GEAR	92	F57-6601	HANDLE WAHSER
49	E21-9701	PINION RING	93	J87-7701	HANDLE ASSY
50	G43-1107	PINION BALL BEARING	94	G79-3301	HANDLE NUT
51	J87-7301	LEFT SIDE PLATE	95	H83-4507	HANDLE LOCK PLATE
52	B05-5201	ZERO ADJUSTE O-RING	96	353-8301	HANDLE LOCK PLATE SCREW