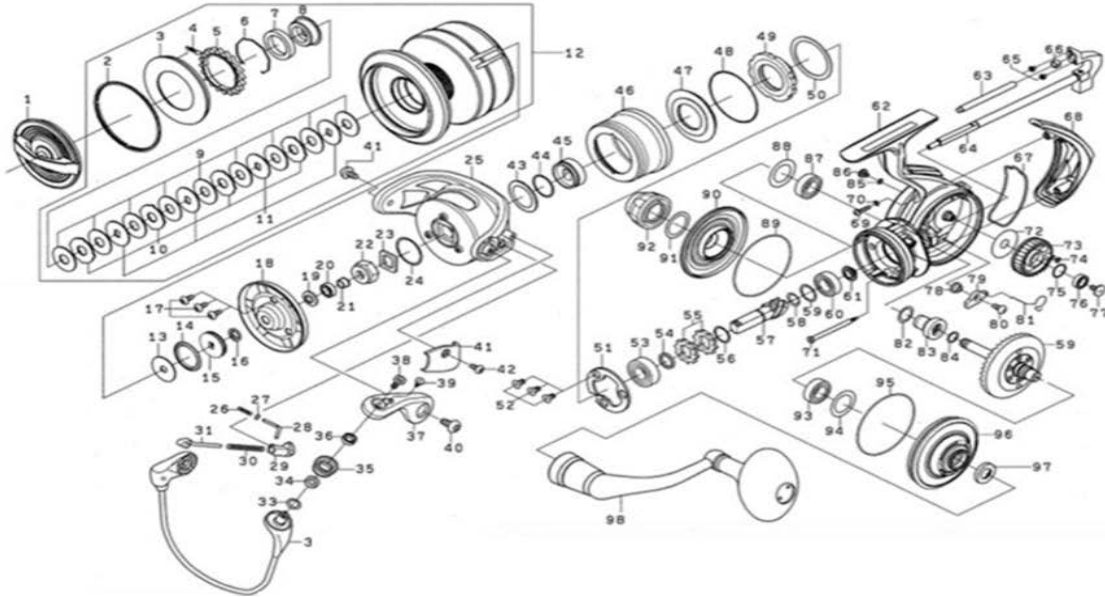


SPINNING REEL

CERTATESWG18000-H

*Please order by parts number, not key number.



Key No	Part No	Description	Key No	Part No	Description
1	M12-2401	DRAG KNOB	50	G15-8101	ONEWAY CLUTCH WASHER
2	M04-2301	CLICK GEAR PLATE SCREW	51	J89-5801	PINION BEARING PLATE
3	J90-0301	CLICK GEAR PLATE	52	F20-6902	PINION BEARING PLATE SCREW
4	J91-6501	CLICK GEAR PIN	53	G42-6301	PINION BALL BEARING (A)
5	J90-0201	CLICK GEAR	54	J92-2101	PINION BALL BEARING COLLAR (A)
6	J89-9901	SPOOL COLLAR RETAINER	55	E26-2701	RATCHET
7	M14-5701	SPOOL COLLAR (A)	56	372-7601	RATCHET WASHER
8	J92-3401	SPOOL COLLAR (B)	57	Z02-6140	PINION DRIVE GEAR SET
9	M14-6301	DRAG WASHER	58	J92-1401	PINION BEARING SPRING WASHER
10	J89-9601	EARED WASHER	59	373-7808	PINION BEARING WASHER
11	J92-3301	KEY WASHER	60	G52-3401	PINION BALL BEARING (B)
12	M15-4301	SPOOL ASSY	61	J92-1301	PINION BALL BEARING COLLAR (B)
13	J93-7401	SPOOL WASHER	62	M15-3502	BODY
14	J89-8501	SPOOL PLATE PACKING (A)	63	J89-4602	OSCILLATING POST
15	J92-2401	SPOOL PLATE	64 65 66	J92-0701	MAIN SHAFT
16	J92-2501	SPOOL PLATE PACKING (B)	65	M06-7801	OSCILLATING POST COLLAR SCREW
17	H50-3901	ROTOR COVER SCREW	66	J89-4401	OSCILLATING POST COLLAR
18	H68-5701	ROTOR COVER	67	J92-1101	REAR CAP PACKING
19	H68-5601	ROTOR NUT PACKING	68	J92-1201	REAR CAP
20	B86-1702	ROTOR NUT BALL BEARING	69	J89-4901	REAR CAP SCREW(A)
21	J93-0201	ROTOR NUT COLLAR	70	E27-2501	REAR CAP SCREW WASHER
22	H68-5402	ROTOR NUT	71	J89-5002	REAR CAP SCREW(B)
23	H68-5301	ROTOR NUT PLATE	72	J92-0101	OSCILLATING GEAR WASHER
24	F27-4501	ROTOR NUT O RING	73	J92-0201	OSCILLATING GEAR
25	H68-4503	ROTOR	74	J03-7601	OSCILLATING GEAR O RING
26	H78-2801	ROTOR BRAKE SPRING	75	373-7808	OSCILLATING GEAR BEARING WASHER
27	E27-2501	ROTOR BRAKE WASHER	76	B86-1702	OSCILLATING GEAR BALL BEARING
28	H68-4601	ROTOR BRAKE SHAFT	77	H34-7101	OSCILLATING GEAR SCREW
29	H68-4701	ARM LEVER SPRING COLLAR	78	H24-3301	STOPPER COLLAR
30	G41-8101	ARM LEVER SPRING	79	M03-0401	STOPPER
31	G33-7301	ARM LEVER SHAFT	80	351-6401	STOPPER SCREW
32	J88-9901	BAIL	81	J92-2001	STOPPER SPRING
33	E09-6501	ROLLER WASHER	82	J30-8501	DRIVE GEAR O RING
34	J04-2801	ROLLER COLLAR	83	J92-0302	IDLE GEAR
35	J04-2902	LINE ROLLER	84	G33-6701	IDLE GEAR O RING
36	J01-9304	ROLLER BALL BEARING	85	B85-3101	OSCILLATING GEAR NUT O RING
37	H50-3605	ARM LEVER	86	J90-2801	OSCILLATING GEAR NUT
38	H50-4701	ROLLER SCREW	87	G42-6301	DRIVE BALL BEARING (A)
39	H84-2801	RETAINING SCREW	88	J92-0401	DRIVE BALL BEARING WASHER (A)
40	H50-3701	ARM LEVER SCREW	89	J92-0601	ENGINE PLATE (R) O RING
41	H68-4801	ARM LEVER COVER	90	M15-3802	ENGINE PLATE (R)
42	H50-3901	ARM LEVER COVER SCREW	91	J04-2501	HANDLE CAP O RING
43	H68-7201	ROTOR WASHER	92	J39-4903	HANDLE CAP
44	G33-8401	CLUCH RING O RING	93	G42-6301	DRIVE BALL BEARING (B)
45	H68-8601	CLUCH RING	94	H50-2203	DRIVE BALL BEARING WASHER (B)
46	H68-4108	MAGSEALED COVER	95	J92-0601	ENGINE PLATE (L) O RING
47	H53-5301	MAGSEALED PLATE	96	M15-4102	ENGINE PLATE (L)
48	H50-2601	MAGSEALED PLATE O RING	97	J43-2001	ENGINE PLATE PACKING
49	F76-5401	ONEWAY CLUTCH	98	M15-4601	HANDLE