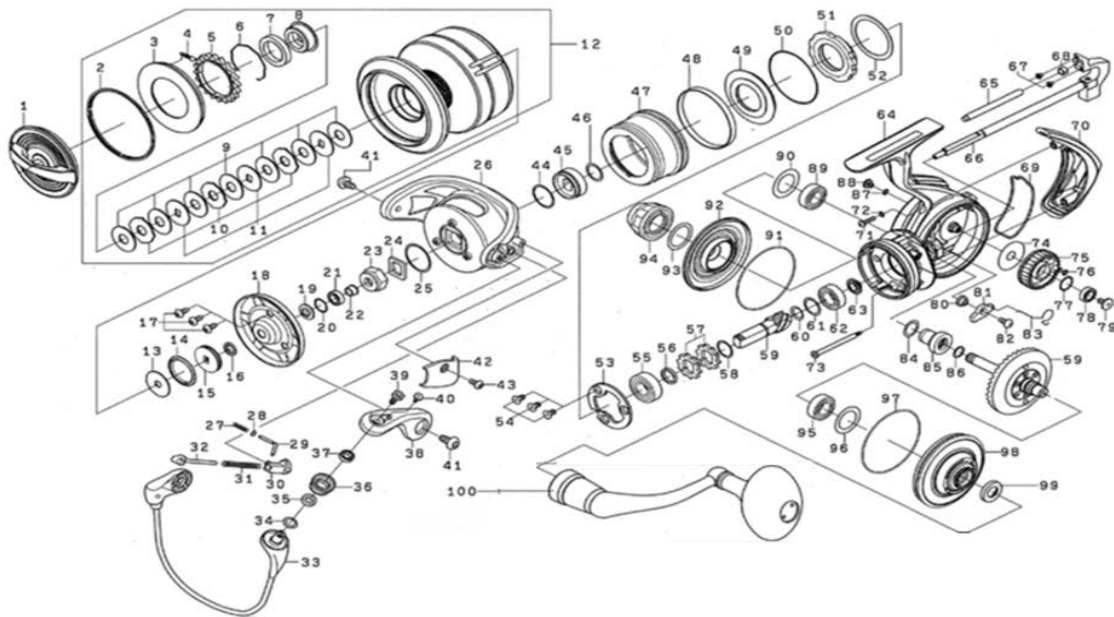


DAWA

SPINNING REEL

CERTATESWG8000-H_10000-H_14000-XH

*Please order by parts number, not key number.



Key No	Part No	Description
1	M12-2401	DRAG KNOB
2	M04-2301	CLICK GEAR PLATE SCREW
3	J90-0301	CLICK GEAR PLATE
4	J91-6501	CLICK GEAR PIN
5	J90-0201	CLICK GEAR
6	J89-9901	SPOOL COLLAR RETAINER
7	M14-5701	SPOOL COLLAR (A)
8	J89-9701	SPOOL COLLAR (B)
9	M14-6201	DRAG WASHER
10	J89-9601	EARED WASHER
11	J89-9501	KEY WASHER
12	M15-2801	SPOOL ASSY
13	J89-8601	SPOOL WASHER
14	J89-8501	SPOOL PLATE PACKING (A)
15	J89-8301	SPOOL PLATE
16	J89-8401	SPOOL PLATE PACKING (B)
17	H50-3901	ROTOR COVER SCREW
18	H50-5101	ROTOR COVER
19	H50-5001	ROTOR NUT PACKING
20	G52-2103	ROTOR NUT BALL BEARING WASHER
21	G46-7102	ROTOR NUT BALL BEARING
22	J89-8001	ROTOR NUT COLLAR
23	H50-4801	ROTOR NUT
24	G39-2201	ROTOR NUT PLATE
25	H50-1001	ROTOR NUT O RING
26	H50-3202	ROTOR
27	H50-3401	ROTOR BRAKE SPRING
28	G68-5401	ROTOR BRAKE WASHER
29	H50-3301	ROTOR BRAKE SHAFT
30	H50-3501	ARM LEVER SPRING COLLAR
31	H80-9101	ARM LEVER SPRING
32	G01-7504	ARM LEVER SHAFT
33	J88-9701	BAIL
34	E09-6501	ROLLER WASHER
35	J04-2801	ROLLER COLLAR
36	J04-2902	LINE ROLLER
37	J01-9304	ROLLER BALL BEARING
38	H50-3605	ARM LEVER
39	H50-4701	ROLLER SCREW
40	H84-2801	RETAINING SCREW
41	H50-3701	ARM LEVER SCREW
42	H50-3801	ARM LEVER COVER
44	H25-5001	CLUCH RING O RING
45	J89-6001	CLUCH RING
46	371-2821	CLUCH RING WASHER
47	H50-2908	MAGSEALED COVER
48	H62-9701	MAGSEALED RING
49	H53-5301	MAGSEALED PLATE
50	H50-2601	MAGSEALED PLATE O RING
51	F76-5401	ONEWAY CLUTCH
52	G15-8101	ONEWAY CLUTCH WASHER
53	J89-5801	PINION BEARING PLATE
54	F20-6902	PINION BEARING PLATE SCREW

Key No	Part No	Description
55	635-5001	PINION BALL BEARING (A)
56	J89-5701	PINION BALL BEARING COLLAR (A)
57	E26-2701	RATCHET
58	372-7601	RATCHET WASHER
59	Z02-6101	PINION DRIVE GEAR SET
60	G57-8502	PINION BEARING SPRING WASHER
61	H41-1402	PINION BEARING WASHER
62	H73-9703	PINION BALL BEARING (B)
63	J89-5101	PINION BALL BEARING COLLAR (B)
64	M12-2702	BODY
65	J89-4601	OSCILLATING POST
66 67 68	J89-4201	MAIN SHAFT
67	M06-7801	OSCILLATING POST COLLAR SCREW
68	J89-4401	OSCILLATING POST COLLAR
69	J89-4701	REAR CAP PACKING
70	J89-4801	REAR CAP
71	J89-4901	REAR CAP SCREW(A)
72	E27-2501	REAR CAP SCREW WASHER
73	J89-5001	REAR CAP SCREW(B)
74	J89-3601	OSCILLATING GEAR WASHER
75	J89-3701	OSCILLATING GEAR
76	J03-7601	OSCILLATING GEAR O RING
79	H27-2202	OSCILLATING GEAR SCREW
80	H24-3301	STOPPER COLLAR
81	M03-0301	STOPPER
82	351-6401	STOPPER SCREW
83	J89-5601	STOPPER SPRING
84	171-5202	DRIVE GEAR O RING
85	J89-3802	IDLE GEAR
86	J18-5801	IDLE GEAR O RING
87	B85-3101	OSCILLATING GEAR NUT O RING
88	J90-2801	OSCILLATING GEAR NUT
89	G52-2802	DRIVE BALL BEARING (A)
90	J89-3901	DRIVE BALL BEARING WASHER (A)
91	J89-4101	ENGINE PLATE (R) O RING
92	M12-1902	ENGINE PLATE (R)
93	J04-2501	HANDLE CAP O RING
94	J39-4903	HANDLE CAP
96	G52-9503	DRIVE BALL BEARING WASHER (B)
98	M12-1805	ENGINE PLATE (L)
99	J43-2001	ENGINE PLATE PACKING
100	M12-2501	HANDLE

CERTATESWG10000-H Special Parts

Key No	Part No	Description
12	M15-3301	SPOOL ASSY

CERTATESWG14000-XH Special Parts

Key No	Part No	Description
12	M12-2001	SPOOL ASSY
59	Z02-6070	PINION DRIVE GEAR SET
98	M12-1806	ENGINE PLATE (L)