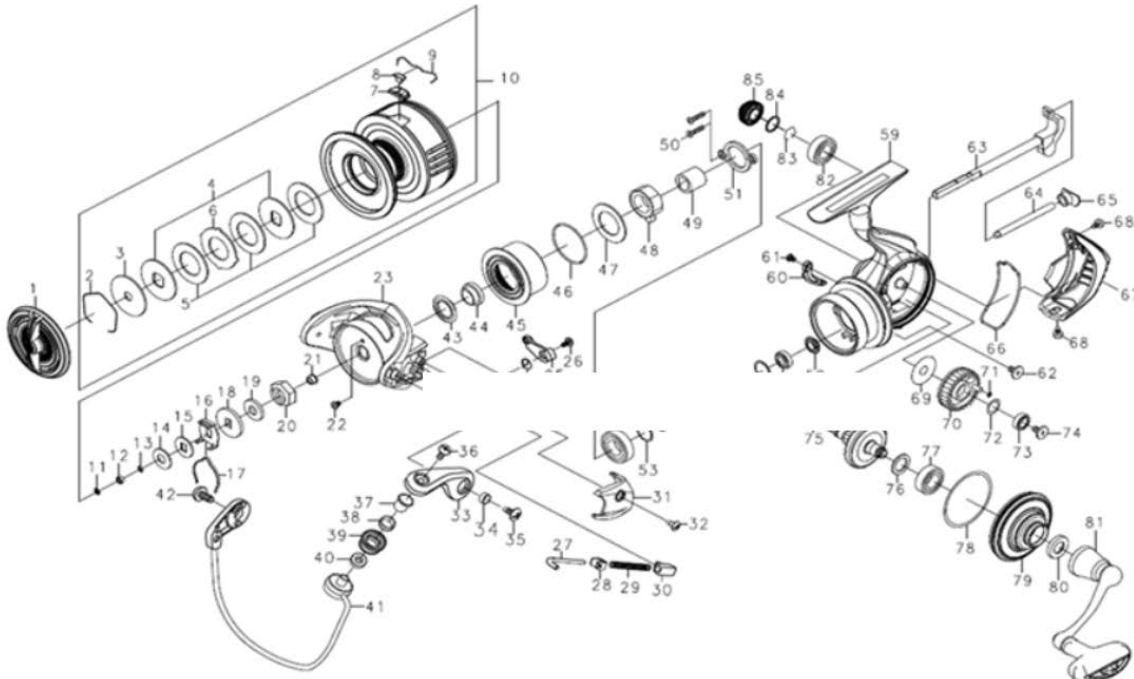


*Please order by parts number, not key number.



| Key No | Part No | Description |
|--------|----------|---------------------------------|
| 1 | M08-4601 | DRAG KNOB |
| 2 | J54-7101 | DRAG RING |
| 3 | M03-7701 | DRAG RATCHET |
| 4 | J54-7001 | DRAG DISK WASHER |
| 5 | M20-6501 | ATD DRAG WASHER ((25BGMQ-3) |
| 6 | J54-6902 | DRAG LIP WASHER |
| 7 | J55-8101 | LINE STOPPER PLATE |
| 8 | J55-8001 | LINE STOPPER |
| 9 | J31-4801 | LINE STOPPER SPRING |
| 10 | M11-1201 | SPOOL ASSY |
| 11 | M03-7401 | SPOOL WASHER(A) |
| 12 | G46-9005 | SPOOL BALL BEARING |
| 13 | B41-1706 | SPOOL WASHER(B) |
| 14 | E39-8003 | SPOOL WASHER(C -03mm) |
| 15 | E46-7101 | SPOOL WASHER(D) |
| 16 | M02-1401 | CLICK HOLDER |
| 17 | H41-6101 | CLICK LEAF SPRING |
| 18 | J70-3101 | SPOOL WASHER(D) |
| 19 | H98-6901 | ROTOR NUT PACKING |
| 20 | H96-1101 | ROTOR NUT |
| 21 | J80-8500 | ROTOR NUT COLLAR |
| 22 | H02-2701 | ROTOR NUT SCREW |
| 23 | H96-0062 | ROTOR |
| 24 | H41-3601 | KICK LEVER SPRING |
| 25 | J03-8501 | KICK LEVER ASSY |
| 26 | H41-7701 | KICK LEVER SCREW |
| 27 | H41-4101 | ARM LEVER SHAFT |
| 28 | H57-6101 | ARM LEVER SPRING COLLAR |
| 29 | H54-5701 | ARM LEVER SPRING |
| 30 | H41-4301 | ARM LEVER SPRING HOLDER |
| 31 | H96-0201 | ARM LEVER COVER |
| 32 | G27-0801 | ARM LEVER COVER SCREW |
| 33 | H72-8927 | ARM LEVER |
| 34 | H96-2401 | ARM LEVER COLLAR |
| 35 | G20-5001 | ARM LEVER SCREW |
| 36 | G19-5602 | ROLLER SCREW |
| 37 | J56-6101 | ROLLER COLLAR(A) |
| 38 | G22-0701 | ROLLER COLLAR(B) |
| 39 | J08-9902 | LINE ROLLER |
| 40 | G87-4201 | ROLLER COLLAR(C) |
| 41 | J37-5101 | BAIL ASSY |
| 43 | M03-7101 | SEALED PACKING |
| 44 | M03-7001 | SEALED PACKING COLLAR |
| 45 | M03-7301 | SEALED CAP |
| 46 | M03-7201 | SEALED CAP O RING |
| 47 | J63-9902 | ONE WAY CLUTCH WASHER |
| 48 | J38-8402 | ONE WAY CLUTCH |
| 49 | M03-6902 | CLUTCH RING |
| 50 | J00-0901 | BEARING PLATE SCREW |
| 51 | J77-8201 | BEARING PLATE |
| 52 | G53-5104 | PINION BALL BEARING (A) |
| 53 | 375-8502 | PINION BEARING (A) WASHER01mm |

| Key No | Part No | Description |
|--------|----------|---------------------------------|
| 54 | Z02-5620 | PINION + DRIVE GEAR UNIT |
| 55 | H81-4902 | PINION SPRING WASHER |
| 56 | E09-6501 | PINION BEARING (B) WASHER01MM |
| 57 | G53-8007 | PINION BALL BEARING (B) |
| 58 | J55-2001 | PINION BEARING (B) COLLAR |
| 59 | M11-4901 | BODY ASSY |
| 60 | J00-1101 | BAIL KICK COLLAR |
| 61 | G94-0408 | BAIL KICK COLLAR SCREW(A) |
| 62 | H53-1510 | BAIL KICK COLLAR SCREW(B) |
| 63 | M03-6202 | MAIN SHAFT ASSY |
| 64 | H61-4301 | OSHRATING POST |
| 65 | M03-9401 | OSHRATING POST COLLAR |
| 66 | M03-9501 | REAR CAP PACKING |
| 67 | M03-9601 | REAR CAP |
| 68 | M03-6601 | REAR CAP SCREW |
| 69 | H59-5701 | OSCILATE GEAR WASHER |
| 70 | J13-6101 | OSCILATE GEAR |
| 71 | G46-6001 | OSCILATE GEAR O RING |
| 72 | H12-9201 | OSCILATE BEARING WASHER01mm |
| 74 | G94-0402 | OSCILATE SCREW |
| 75 | G67-0501 | DRIVE O RING |
| 77 | G46-7302 | DRIVE BALL BEARING (A) |
| 78 | J55-3001 | BODY COVER PACKING |
| 79 | M03-9301 | BODY COVER |
| 80 | J13-0201 | HANDLE PACKING |
| 81 | M08-4801 | HANDLE ASSY |
| 82 | G52-2706 | DRIVE BALL BEARING (B) |
| 83 | G47-2401 | DRIVE BEARING RING |
| 84 | G16-2401 | HANDLE CAP O-RING |
| 85 | J41-8102 | HANDLE CAP |

BGMQ4000D-XH Special Parts

| Key No | Part No | Description |
|--------|----------|---------------------------------|
| 1 | M03-7801 | DRAG KNOB |
| 7 | J56-8601 | LINE STOPPER PLATE |
| 10 | M03-7501 | SPOOL ASSY |
| 20 | M18-1301 | ROTOR NUT |
| 23 | J56-7516 | ROTOR |
| 25 | J56-7601 | KICK LEVER ASSY |
| 27 | H57-2001 | ARM LEVER SHAFT |
| 29 | H41-4201 | ARM LEVER SPRING |
| 30 | J08-9401 | ARM LEVER SPRING HOLDER |
| 31 | J56-7801 | ARM LEVER COVER |
| 38 | M17-8101 | ROLLER COLLAR(B) |
| 40 | M17-8001 | ROLLER COLLAR(C) |
| 41 | M05-3501 | BAIL ASSY |
| 53 | 375-8500 | PINION BEARING (A) WASHER01mm |
| 59 | M03-5901 | BODY ASSY |
| 63 | M03-6201 | MAIN SHAFT ASSY |
| 70 | M03-6701 | OSCILATE GEAR |
| 81 | M03-7901 | HANDLE ASSY |