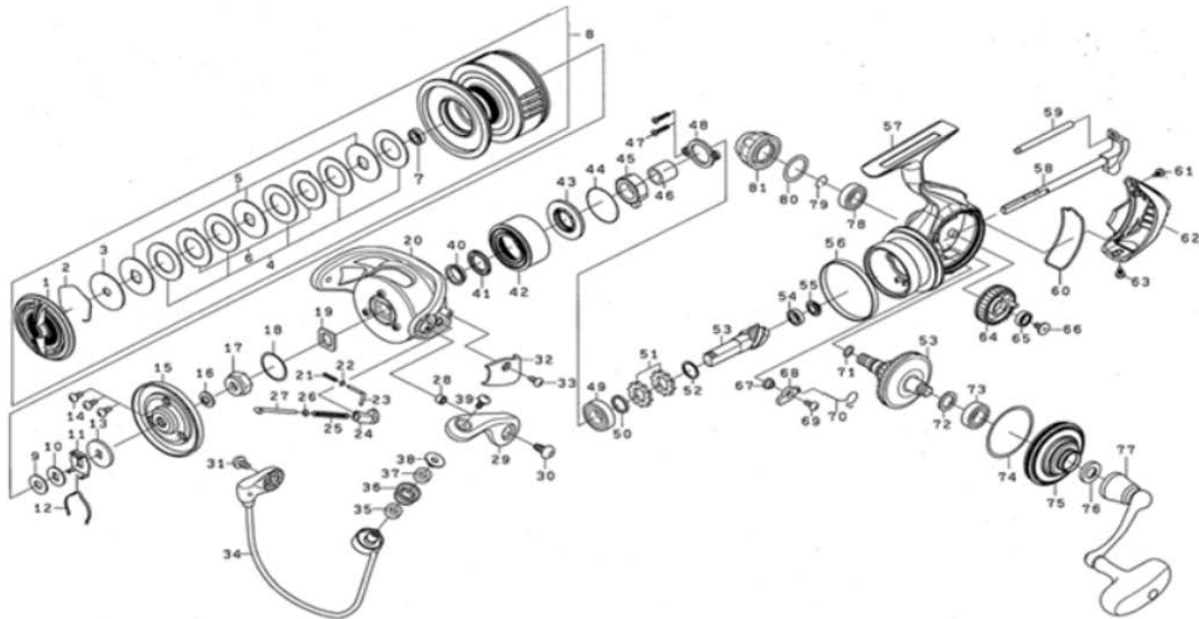


# DAIWA

## SPINNING REEL

# BGMQ18000

\*Please order by parts number, not key number.



Key No	Part No	Description
1	M02-9201	DRAG KNOB
2	F88-4001	DRAG RING
3	H38-0901	DRAG RATCHET
4	J31-3601	DRAG WASHER
5	H17-5101	DRAG DISK WASHER
6	G70-0701	DRAG LIP WASHER
7	B35-8607	SPOOL BALL BEARING
8	M12-0901	SPOOL ASSY
9	F05-0104	SPOOL WASHER(A)
10	F05-0002	SPOOL WASHER(B)
11	H32-3701	CLICK HOLDER
12	G34-1401	CLICK LEAF SPRING
13	F04-9901	SPOOL WASHER( C )
14	G27-0801	ROTOR COVER SCREW
15	M02-1101	ROTOR COVER
16	H10-7201	ROTOR NUT PACKING
17	M02-1001	ROTOR NUT
18	F27-4501	ROTOR NUT O RING
19	J31-6501	ROTOR NUT PLATE
20	J30-9402	ROTOR
21	H78-2801	ROTOR BRAKES SPRING
22	E27-2501	ROTOR BRAKES SPRING WASHER
23	H68-4601	ROTOR BRAKES SHAFT
24	H68-4701	ARM LEVER SPRING COLLAR
25	G41-8101	ARM LEVER SPRING
26	J30-9601	ARM LEVER SHAFT WASHER
27	J30-9501	ARM LEVER SHAFT
28	H94-5501	ARM LEVER SCREW COLLAR
29	J30-9703	ARM LEVER
30	G45-5601	ARM LEVER SCREW
31	G45-5601	BAIL HOLDER SCREW
32	J30-9802	ARM LEVER COVER
33	G27-0801	ARM LEVER COVER SCREW
34	J30-9901	BAIL ASSY
35	J41-6001	ROLLER COLLAR(A)
36	H24-6103	LINE ROLLER
37	J41-6001	ROLLER COLLAR(B)
38	J31-0401	ROLLER COLLAR(C)
39	F60-8901	ROLLER SCREW
40	M02-0701	SEALED CAP COLLAR
41	G16-2301	SEALED CAP PACKING

Key No	Part No	Description
42	M02-0601	SEALED CAP
43	J96-1401	SEALED CAP PLATE
44	J96-1501	SEALED CAP O RING
45	J30-9101	ONE WAY CLUTCH
46	J30-9002	CLUTCH RING
47	J00-1601	BEARING PLATE SCREW
48	J30-8401	BEARING PLATE
49	G42-6301	PINION BALL BEARING ( A )
50	H24-3901	PINION BEARING COLLAR
51	E26-2701	RATCHET
52	E33-9701	PINION BEARING ( B ) WASHER
53	Z02-2625	PINION DRIVE GEAR UNIT
54	B86-1704	PINON BALL BEARING ( B )
55	J30-8101	PINION BEARING ( B ) COLLAR
56	J62-8302	SEALED CAP RING
57	M12-0801	BODY ASSY
58	M02-0101	MAIN SHAFT ASSY
59	J30-8001	OSHRATING POST
60	M02-0401	REAR CAP PACKING
61	M05-6601	REAR CAP SCREW(A)
62	M02-0501	REAR CAP
63	M05-6602	REAR CAP SCREW(B)
64	J30-7601	OSCILATE GEAR
65	B86-1704	OSCILATE BALL BEARING
66	H34-7101	OSCILATE GEAR SCREW
67	H24-3301	STOPPER CAM
68	M03-0401	STOPPER
69	351-6401	STOPPER SCREW
70	J30-8601	STOPPER SPRING
71	J30-8501	DRIVE GEAR O RING
72	371-2824	DRIVE WASHER
73	G52-2802	DRIVE BALL BEARING ( A )
74	J92-0601	BODY COVER PACKING
75	M02-0301	BODY COVER
76	J43-2001	HANDLE PACKING
77	M06-4201	HANDLE ASSY
78	G52-2802	DRIVE BALL BEARING ( B )
79	H04-7201	DRIVE BEARING RING
80	J04-2501	HANDLE CAP O RING
81	J39-4903	HANDLE CAP