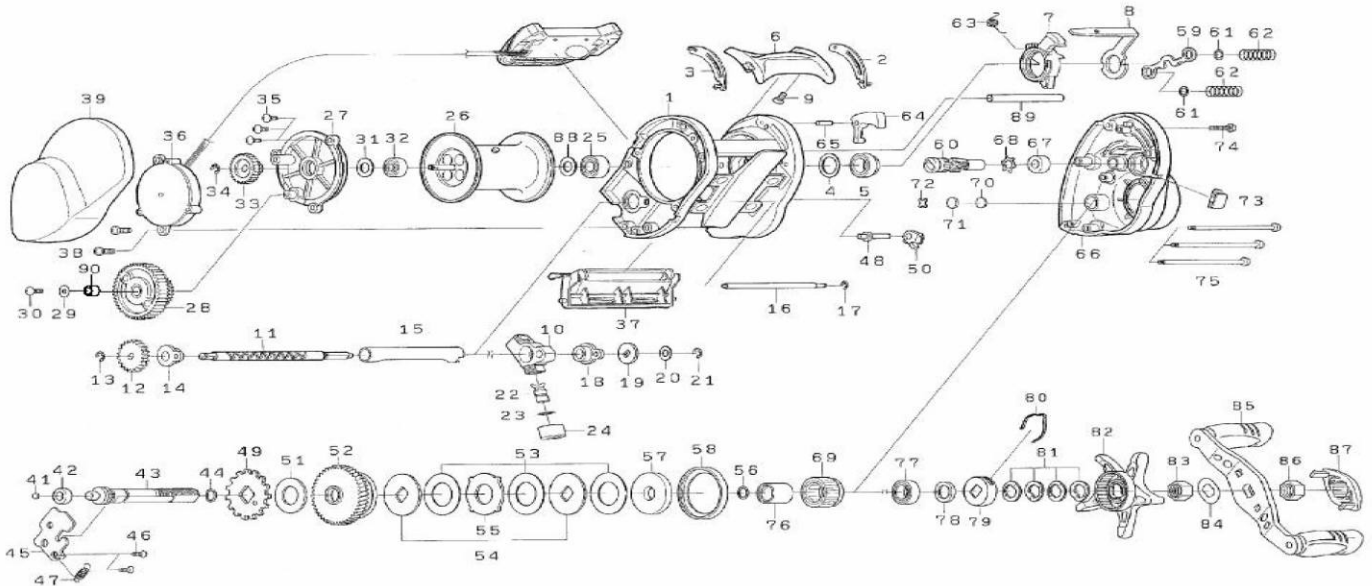


Please order by parts number, not key number  
 Veuillez indiquer le numéro de la pièce (Non "Key" No.)



# CONVENTIONAL REEL ACCUDEPTH ICV25W



Key No.	Parts No.	Parts Name	Key No.	Parts No.	Parts Name	Key No.	Parts No.	Parts Name
1	H39-1102	FRAME	31	371-0605	SPOOL WASHER(B)	62	E33-5301	YOKE SPRING
2	H09-2001	PLATE(R)	32	637-2102	SPOOL BALL BEARING(B)	63	G52-6801	CLUTCH CAM SPRING
3	H09-2101	PLATE(L)	33	H39-2801	SPOOL GEAR	64	H39-3401	CLUTCH CAM LEVER
4	372-7603	WASHER	34	320-5901	SPOOL GEAR RETAINER	65	G08-2301	CLUTCH CAM LEVER PAWL
5	F73-3201	BUSHING(A)	35	G19-3701	SET PLATE SCREW	66	H39-6903	R/S PLATE
6	H42-8101	CLUTCH LEVER	36	H36-0405	COUNTER ASSEMBLY	67	F81-7101	BUSHING(B)
7	G69-6301	CLUTCH CAM	37	H39-2902	FINGER COVER	68	H18-0601	RETAINER
8	H39-1501	CLUTCH CAM PLATE	38	F93-9701	COUNTER ASSEMBLY SCREW	69	F55-2704	ONE-WAY CLUTCH
9	F21-1103	CLUTCH LEVER SCREW	39	H39-3503	L/S PLATE	70	374-9102	MECHANICAL BRAKE WASHER A
10	F55-3601	LEVELWIND	41	F64-7201	DRIVE SHAFT WASHER	71	F85-3501	MECHANICAL BRAKE WASHER B
11	H39-1601	WORM SHAFT	42	E35-1501	BUSHING C	72	F85-3602	MECHANICAL BRAKE WASHER C
12	H39-1701	WORM SHAFT GEAR	43	H55-1301	DRIVE SHAFT	73	E28-6003	LINE HOLDER
13	320-5901	WORM SHAFT RETAINER	44	F65-7801	O-RING(A)	74	G11-5001	R/S PLATE SCREW(A)
14	F82-3901	WORM SHAFT BUSHING(A)	45	F82-4901	DRIVE SHAFT PLATE	75	H39-3801	R/S PLATE SCREW(B)
15	H39-1801	WORM SHIELD	46	E31-6701	DRIVE SHAFT PLATE SCREW	76	H39-3901	CLUTCH COLLAR
16	H39-1901	PAWL(A)	47	F96-2801	KICK LEVER SPRING	77	G52-3401	HANDLE BUSHING
17	B86-4101	PAWL RETAINER	48	H42-8401	PAWL(B)	78	373-7806	HANDLE BUSHING WASHER
18	F82-3901	WORM SHAFT BUSHING(B)	49	F82-6301	RATCHET	79	F02-8201	DRAG HOLDER
19	F55-6901	WORM SHAFT WASHER(A)	50	F93-8801	ANTI-REVERSE PAWL	80	F03-2401	DRAG HOLDER LEAF SPRING
20	373-1603	WORM SHAFT WASHER(B)	51	F82-6702	DRIVE GEAR WASHER	81	150-8901	DRAG SPRING WASHER
21	320-5901	WORM SHAFT RETAINER	52	H39-3101	DRIVE GEAR	82	H00-2115	STAR DRAG
22	F82-4301	LEVELWIND PAWL	53	H03-2902	EARED WASHER	83	F84-9903	DRAG NUT
23	F95-0200	LEVELWIND WASHER	54	F79-6302	DRAG DISC WASHER	84	150-9001	HANDLE WASHER
24	E35-4101	LEVELWIND NUT	55	F79-6101	DRAG LIP WASHER	85	H49-0501	HANDLE
25	B18-1602	SPOOL BALL BEARING(A)	56	F65-7801	O-RING	86	F84-9903	HANDLE NUT
26	H42-8502	SPOOL	57	H39-3201	DRAG COLLAR	87	G96-9902	HANDLE CAP
27	H39-2401	SET PLATE	58	F82-7001	DRAG COLLAR SHIELD	88	375-5800	SPOOL WASHER(A)
28	H39-2501	IDLE GEAR	59	F82-6101	YOKE	89	H50-7101	PAWL(C)
29	H39-2701	IDLE GEAR SCREW WASHER	60	H39-3301	PINION GEAR	90	H57-3501	IDLE GEAR COLLAR
30	G19-3701	IDLE GEAR SCREW	61	E03-7706	YOKE WASHER			