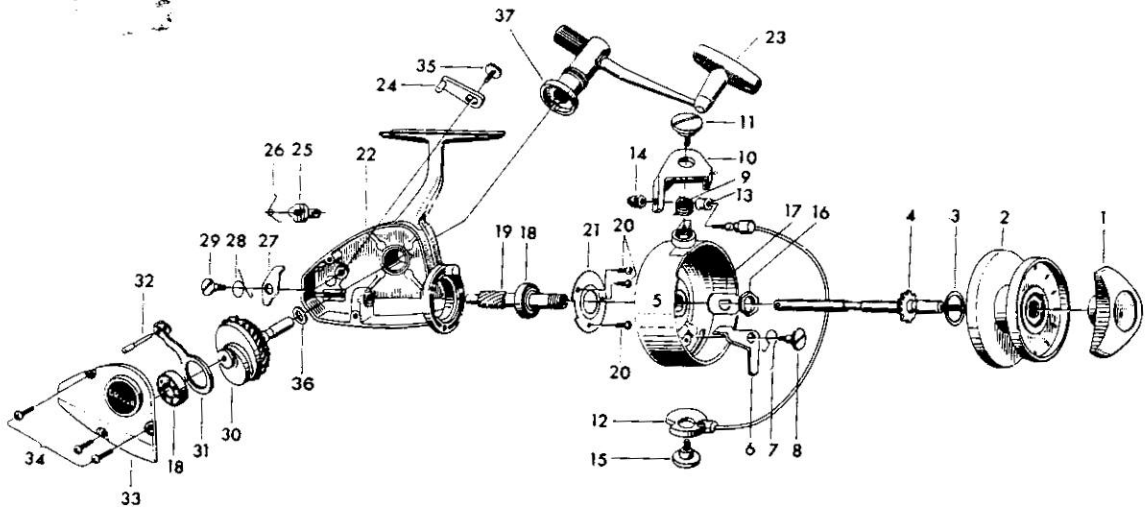


SPINNING REEL **8300A**



LINE CAPACITY: 200 YDS., 12 LB. TEST (185m. 5.5kg)

Key No.	Parts No.	Parts Name	Key No.	Parts No.	Parts Name
1	6-000-9021	Drag knob assembly	20	6-351-6501	Ball bearing ret. washer screw
2	6-730-5411	Spool assembly	21	6-632-3601	Ball bearing ret. washer
3	6-372-5713	Spool washer	22	6-001-2811	Body
4	6-000-8841	Main shaft assembly	23	6-745-6611	Handle
5	6-000-8541	Rotor	24	6-540-4401	Anti-reverse lever
6	6-570-4401	Bail kick lever	25	6-460-4111	Anti-reverse cam
7	6-140-5031	Bail kick lever spring	26	6-141-7201	Anti-reverse cam spring
8	6-361-2901	Bail kick lever screw	27	6-110-4611	Anti-reverse claw
9	6-141-6621	Bail spring	28	6-141-6521	Anti-reverse claw spring
10	6-230-4821	Arm lever	29	6-361-3701	Anti-reverse claw screw
11	6-361-3401	Arm lever screw	30	6-000-8721	Drive gear
12	6-000-8621	Bail	31	6-480-4101	Oscillating slider
13	6-250-1901	Line roller	32	6-120-7201	Oscillating slider pin
14	6-340-9101	Bail nut	33	6-001-3002	Body cover
15	6-361-3501	Bail holder screw	34	6-351-6401	Body cover screw
16	6-340-4601	Rotor nut	35	6-350-1931	Anti-reverse lever screw
17	6-372-4901	Rotor retaining washer	36	6-371-2826	Drive gear washer
18	6-631-7611	Ball bearing	37	6-635-7102	Handle cover
19	6-401-0042	Pinion			