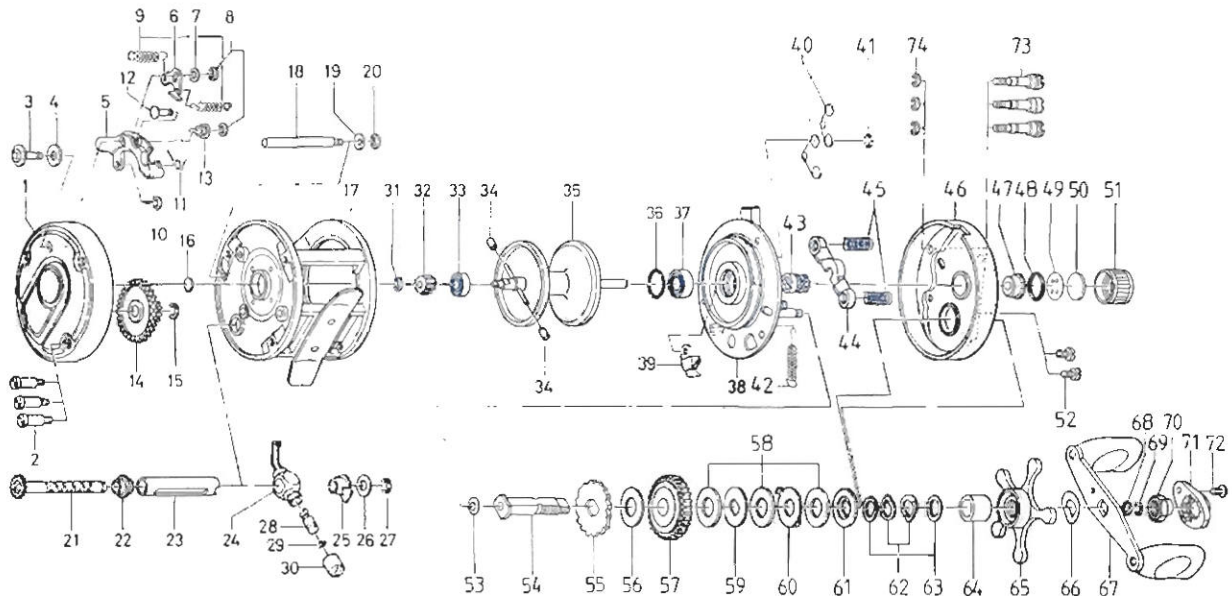


BAITCASTING REEL — Millionaire 500M / 600M



Key

No.	Part No.	Part Name
1	K16-2201	Left side plate assembly
2	K16-9101	Left side plate screw
3	K16-4201	Click button
4	K16-4101	Click button washer
5	K16-3701	Click set plate
6	K16-4301	Click pawl
7	K16-4403	Click pawl washer
8	320-5901	Click pawl retainer
9	K16-4501	Click pawl spring
10	320-5901	Click button retainer
11	K16-4001	Click set plate spring
12	K16-3901	Click set plate pin
13	K16-3801	Click pawl nut
14	K16-3501	Idle gear
15	K16-3601	Idle gear retainer
16	K16-4601	Spacer A
17	K16-4701	Frame assembly
18	K16-7301	Stabilizer bar
19	K15-9801	Stabilizer bar spring washer
20	320-5901	Stabilizer bar retainer
21	K16-6301	Worm shaft
22	K16-6801	Worm bearing A
23	K16-5701	Level wind guard
24	K16-6001	Line guard
25	K16-5901	Worm bearing B
26	K16-4403	Worm shaft holder washer
27	320-5901	Worm shaft retainer
28	K16-7001	Line guard pawl
29	K16-7101	Line guard washer
30	K16-7201	Pawl cap
31	B33-9801	Bearing retainer
32	K16-8801	Spool gear
33	K16-8601	Bushing
34	K16-9001	Brake collar
35	K16-7501	Spool assembly
36	K15-8501	"O" ring
37	K15-8601	Bushing
38	K15-7101	Set plate assembly
39	K15-9501	Anti-reverse pawl
40	K15-8801	Set plate spring A
41	320-1402	Clutch retaining ring
42	K15-8901	Set plate spring B

Key

No.	Part No.	Part Name
43	K15-9101	Pinion gear
44	K15-9001	Yoke
45	K15-9401	Yoke spring
46	K15-6001	Right side plate assembly
47	K15-6701	Bush
48	K15-6601	"O" ring
49	K15-6801	Spacer B
50	K15-6901	Spool tension spring
51	K15-7001	Cast control cap
52	K16-0901	Set plate screw
53	K15-9801	Drive shaft washer A
54	K15-9901	Drive shaft
55	K16-0001	Anti-reverse ratchet
56	K16-0101	Drive shaft washer B
57	K16-0201	Drive gear
58	K16-0102	Drag washer A
59	K16-0401	Key washer A
60	K16-0501	Eared washer
61	K16-0601	Key washer B
62	K16-0701	Drag spring washer
63	373-7803	Drag washer B
64	K16-0801	Spacing sleeve
65	K16-1201	Star drag
66	K16-1401	Friction washer
67	K16-1501	Handle assembly
68	K16-1801	Handle nut washer
69	K16-1901	Handle nut retainer
70	K16-2001	Handle nut
71	K16-2101	Handle nut plate
72	351-1801	Handle nut plate screw
73	K15-6501	Right side plate screw
74	320-5901	Right side plate screw retainer

600M Special Parts:

1	K16-2202	Left side plate
17	K16-4801	Frame assembly
18	K16-7401	Stabilizer bar
21	K16-6401	Worm shaft
23	K16-5801	Level wind guard
35	K16-7701	Spool assembly
46	K15-6002	Right side plate assembly