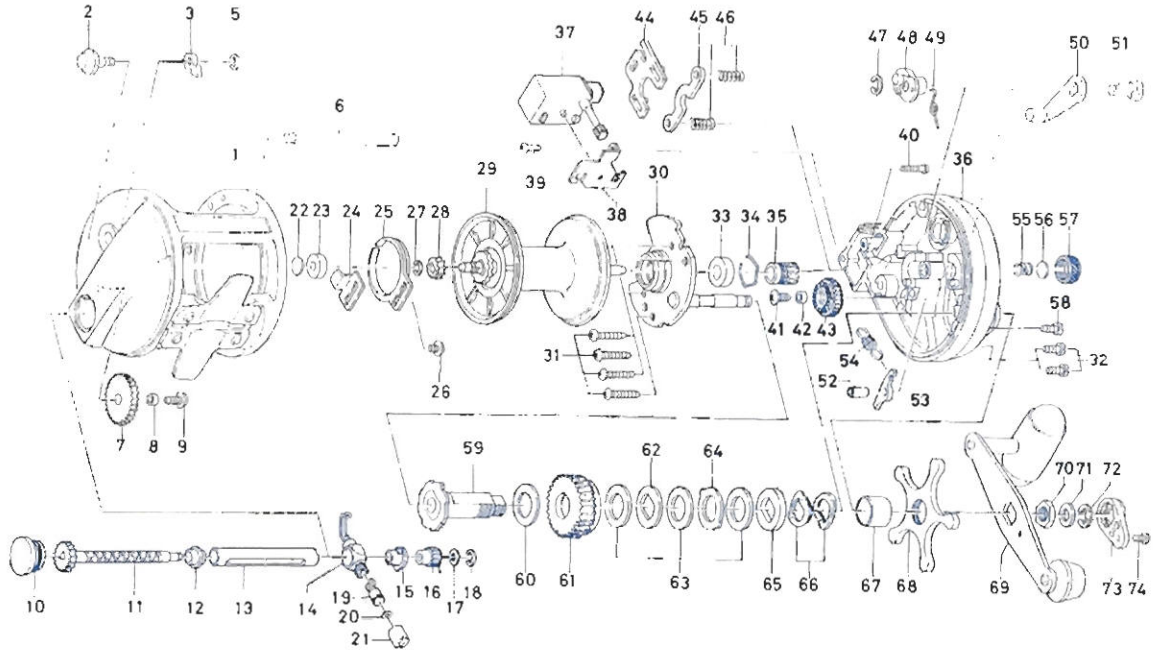


# FRESH WATER DOWNRIGGER REEL 47LC



Key No.	Parts No.	Parts Name	Key No.	Parts No.	Parts Name
1	E24-2201	Frame assembly	37	E24-1501	Counter assembly
2	B21-6601	Click button	38	E24-1801	Counter plate
3	030-6611	Click pawl	39	E15-7502	Counter screw A
5	320-1402	Click pawl retainer	40	E11-9601	Counter screw B
6	B21-6301	Frame post	41	E10-7401	Counter gear screw
7	B21-5801	Idle gear	42	B65-6201	Counter gear collar
8	B65-6201	Idle gear collar	43	E24-1901	Counter gear B
9	E10-7401	Idle gear screw	44	041-5701	Yoke plate
10	B40-6703	Side cap	45	041-5801	Yoke
11	E24-2601	Worm shaft	46	144-7101	Yoke spring
12	B10-0301	Worm bearing A	47	320-7601	Clutch lever retainer
13	B21-6201	Level wind guard	48	E04-2901	Clutch cam
14	B21-6401	Line guide	49	145-2501	Clutch spring
15	B09-9701	Worm bearing B	50	782-5403	Clutch lever
16	E24-2801	Counter gear A	51	E04-3001	Clutch lever pin
17	373-1302	Worm shaft holder washer	52	E08-1801	Collar
18	320-5901	Worm shaft retainer	53	812-0702	Anti-reverse pawl
19	E24-0901	Line guide pawl	54	145-2801	Anti-reverse pawl spring
20	375-0800	Line guide washer	55	E23-5301	Spool tension spring
21	341-5901	Pawl cap	56	375-7405	Spacer
22	375-7403	Bushing washer	57	B93-9701	Cast control cap
23	637-5601	Bushing A	58	E04-3702	Set plate screw C
24	B21-5501	Click spring retainer	59	812-1101	Gear shaft
25	160-7922	Click spring	60	375-2901	Drive gear washer
26	B83-4402	Click spring screw	61	E15-1801	Drive gear
27	320-8002	Spool gear retaining ring	62	376-3401	Key washer A
28	403-2901	Spool gear	63	375-9903	Drag washer
29	E24-2501	Spool assembly	64	376-3501	Eared washer
30	E24-2001	Set plate	65	375-6204	Key washer B
31	E04-3301	Set plate screw A	66	151-8701	Drag spring washer
32	E30-5402	Set plate screw B	67	B36-5101	Spacing sleeve
33	B73-8001	Bushing B	68	B21-5001	Star drag
34	170-7701	Bearing retainer	69	E30-6501	Handle assembly
35	E15-1601	Pinion gear	70	B26-7403	Handle nut
36	E24-1301	Right side plate	71	371-0605	Handle nut washer
			72	320-7601	Handle nut retainer
			73	B15-2302	Handle nut plate
			74	351-1801	Handle nut plate screw